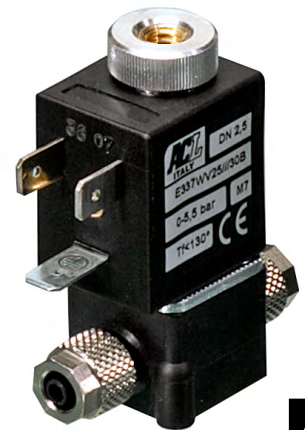


DESCRIPTION

Solenoid valve 3 way normally open direct acting poppet type, suitable for food applications and all compatible fluids.

CONSTRUCTION

Body	Thermoplastic polymer ACS, KTW, W270, WRAS, NSF, FDA certified
Armature tube	Brass
Plunger and core	Stainless steel
Springs	Stainless steel
Seal material	NBR - FPM - EPDM

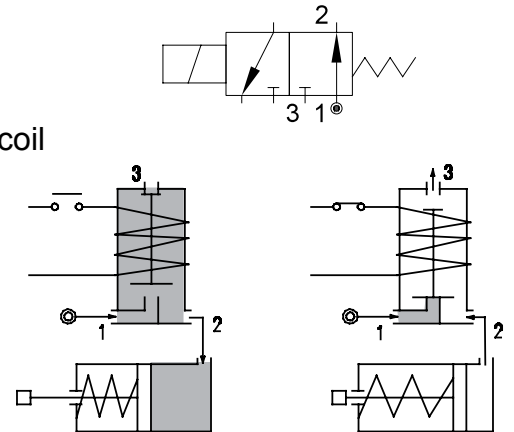


3

FEATURES

- Maximum allowable pressure PS 15bar^⑤
- Maximum fluid viscosity 25cSt (mm²/s)
- Ambient temperature: from -10°C to +80°C according to the coil
- Universal mounting position

- OPTIONS:**
- Stainless steel armature tube
 - Chemically nickel-plated armature tube
 - Type N connection without nut
 - UL[®] us certified coils



CONNECTION					
K	N	P	W ^④	Y	Z
SPIGGOT	G1/8" male thread with NUT for flexible pipes	HOSETAIL for flexible pipes	COMPRESSION for flexible and semiflexible pipes	PUSH IN for semiflexible pipes Øext 6	PUSH IN for semiflexible pipes Øext 4

CODE ① ② ③	Connection ①	Orifice mm	Kv m ³ /h	Differential pressure bar			Nominal power			Coil		Seal ②	Temp. range** °C
				Min	Max		AC Inrush	VA Holding	DC Watt	Series	Width		
					AC	DC							
E337... ..15///...	K-N-P-W-Y-Z	1.5	0.06	0	9	6	12	8	6.5	3	22	NBR=B EPDM=E FPM=V	-10 +90 -10 +140 -10 +140

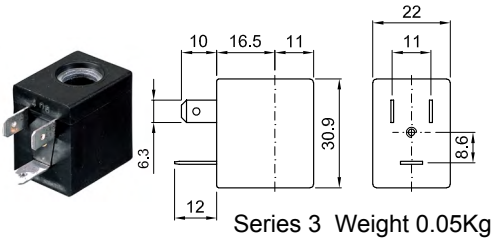
- ② Seal Example: E337KB15///30B NBR seal SPIGGOT connection
- ③ Coil Example: Coil 24V 50/60Hz
- ④ Only for connection "W" Example: E337W.../1/...
- ⑤ The maximum allowable pressure PS for steam is 2.5bar (gauge pressure)
The maximum allowable pressure is related to the type of connection and pipe used

** The temperature range is related to the material of the seals (NBR, EPDM, FPM), and the valves' body. Please contact us concerning the temperature range referred to the different types of connection.

COILS ③	Alternating Current 50/60Hz (V)							Direct Current (V)			Electrical connection	Connectors
	12	24	48	110	220 230	240	380	12	24	48		
Series 3 Width 22	30A	30B	30C	30D	30E	30F	30G	300	301	302	DIN 46244	PG9 code 10348000

DESCRIPTION
 Class F insulation
 Voltage tolerance
 AC +15% -10%
 DC ± 10%
 Protection class
 IP65 with connector fitted
 IP00 without connector
 Continuous service ED100%

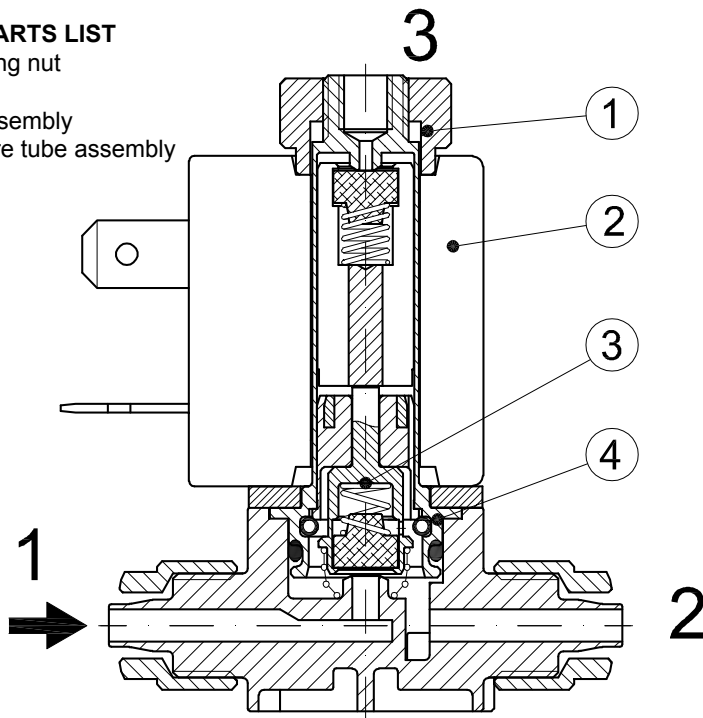
OPTIONS
 Class H insulation
 Cable attached
 Special coil voltage
 Special coil powers
 CE certified coils



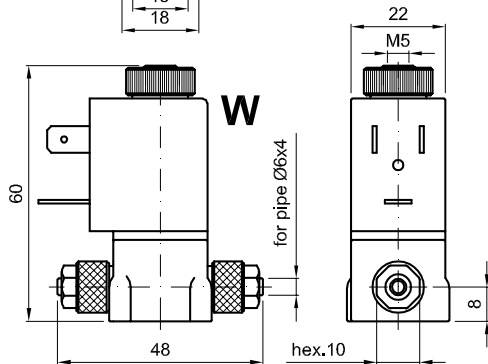
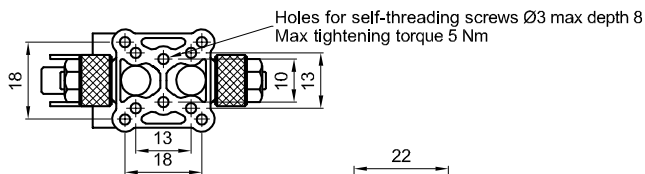
(for coil details see section 8)

SPARE PARTS LIST

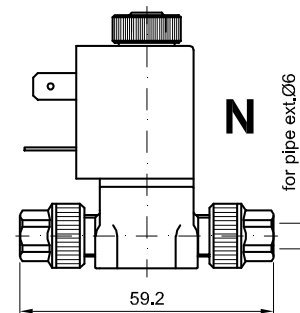
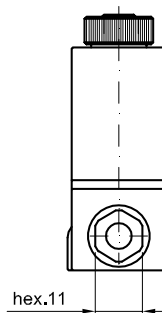
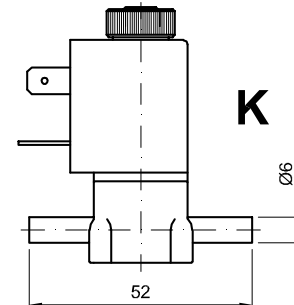
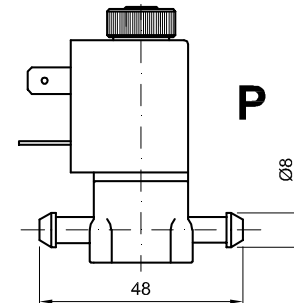
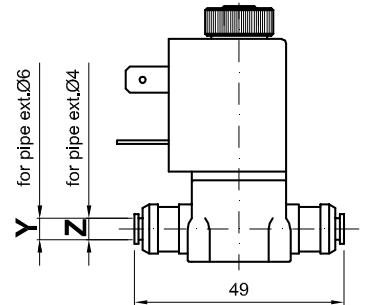
1. Coil fixing nut
2. Coil
3. Seal assembly
4. Armature tube assembly



Weight=0.10Kg



Nut max torque 2Nm



Screw the nut with wrench 11 up to the sliding on the hexagon (torque limiting device)