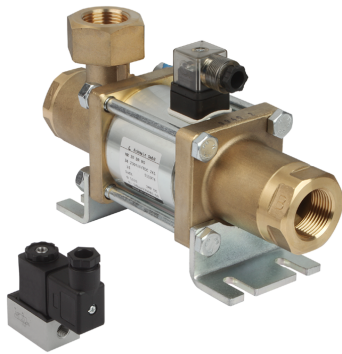


# Solenoid Valves EMV

Nominal diameter from 2 mm to 25 mm



Solenoid Valves EMV

## Suitability for Industry Specific Applications

### Applications

- Control of vacuum, blow off and venting of the suction cup
- Control of compressed air or vacuum in lines with smaller cross sections
- Holding the workpiece in case of power failure due to NO function
- For handling tasks with short switching times
- Valve is suitable for neutral and filtered air

### Design

- Directly controlled solenoid valve
- Valve EMV 2 and EMV 3 always with NC switching function
- Degree of protection IP 65
- Connection socket complies with DIN 43 650, Form A
- Supplied complete with plug connector with quenching diode (for DC voltage)

### Product Highlights

- Seat valve in robust metal housing suitable for vacuum and compressed air
- Direct control enables fastest opening and closing times
- 3/2 multiway valve for controlling flow rate and ventilation (exception: EMV 3 is 2/2 multiway valve)
- Switching function NO protects in case of power failure (exception: EMV 2 & EMV 3 are NC)

## Designation Code Solenoid Valves EMV

<b>EMV</b>	–	<b>5</b>	–	<b>24V-DC</b>	–	<b>3/2</b>	–	<b>NO</b>
1		2		3		4		5

#### 1 – Abbreviated designation

Code	Version
EMV	EMV

#### 2 – Nozzle size

Code	Nozzle size in mm
2...25	2 to 25

#### 3 – Voltage

Code	Voltage in V
24V-DC	Direct current
230V-AC	Single phase

#### 4 – Variant

Code	Type
2/2	2/2-way valve
3/2	3/2-way valve

#### 5 – Idle position suction valve

Code	Type
NC	Normally closed
NO	Normally open

Solenoid valve EMV is delivered as a ready-to-connect product.

Available accessories: venting filter

## Solenoid Valves EMV

Nominal diameter from 2 mm to 25 mm

### Ordering Data Solenoid Valves EMV

Type	Part no.
EMV 2 24V-DC 3/2 NC	10.05.01.00290
EMV 3 230V-AC 2/2 NC	10.05.01.00067
EMV 3 24V-DC 2/2 NC	10.05.01.00066
EMV 5 230V-AC 3/2 NO	10.05.01.00069
EMV 5 24V-DC 3/2 NO	10.05.01.00068
EMV 10 230V-AC 3/2 NO	10.05.01.00071
EMV 10 24V-DC 3/2 NO	10.05.01.00070
EMV 15 230V-AC 3/2 NO	10.05.01.00073
EMV 15 24V-DC 3/2 NO	10.05.01.00072
EMV 20 230V-AC 3/2 NO	10.05.01.00075
EMV 20 24V-DC 3/2 NO	10.05.01.00074
EMV 25 24V-DC 3/2 NO	10.05.01.00076
EMV 25 230V-AC 3/2 NO	10.05.01.00077

### Ordering Data Accessories Solenoid Valves EMV

Type	Accessories	Part no.
EMV 5	Venting filter FAS 63x19 G1/4-AG	10.05.01.00060
EMV 10	Venting filter FAS 80x33.8 G1/2-AG	10.05.01.00061
EMV 15	Venting filter FAS 80x39 G3/4-AG	10.05.01.00062
EMV 20	Venting filter FAS 80x38 G1-AG EMVP	10.05.01.00063
EMV 25	Venting filter FAS 80x32 G1-1/4-AG EMVP-25+50	10.05.01.00064

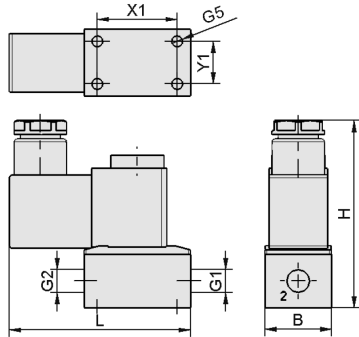
### Technical Data Solenoid Valves EMV

Type	Nominal size [mm]	Control valve	Nominal flow rate [l/min]	Nominal flow rate [m³/h]	Power consumption DC [W]	Closing time [ms]	Weight [kg]
EMV	2	Normally closed	17	1	2.2	10	0.150
EMV	3	Normally closed	34	2	5.0	20	0.200
EMV	5	Normally open	67	4	8.0	20	0.518
EMV	10	Normally open	334	20	32.0	25	2.510
EMV	15	Normally open	567	34	38.4	80	4.665
EMV	20	Normally open	884	53	40.8	100	6.375
EMV	25	Normally open	1,467	88	63.8	135	9.600

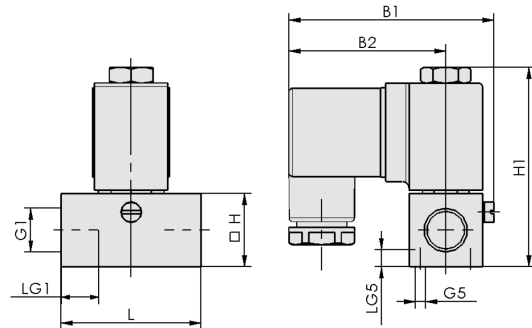
# Solenoid Valves EMV

Nominal diameter from 2 mm to 25 mm

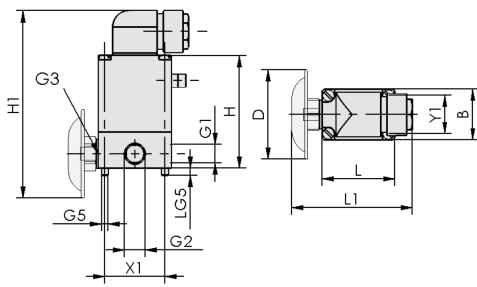
Design Data Solenoid Valves EMV



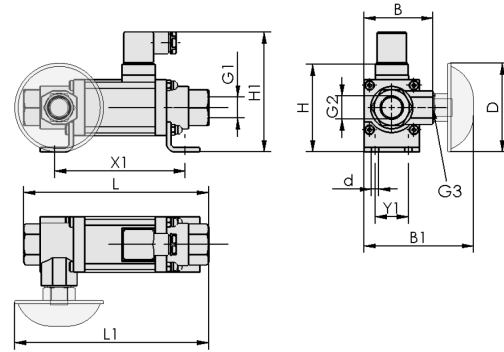
EMV 2



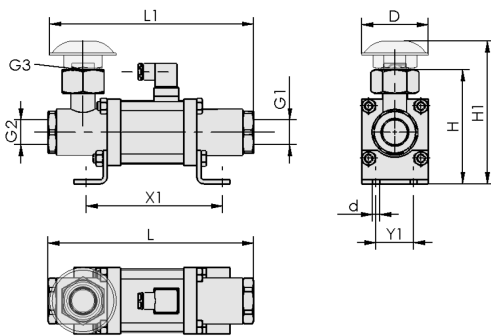
EMV 3



EMV 5



EMV 10



EMV 15 - 25

## Solenoid Valves EMV

Nominal diameter from 2 mm to 25 mm

### Design Data Solenoid Valves EMV

Type	B [mm]	B1 [mm]	B2 [mm]	d [mm]	D [mm]	G1	G2	G3	G5	H [mm]	H1 [mm]	L [mm]	L1 [mm]	LG1 [mm]	LG5 [mm]	X1 [mm]	Y1 [mm]
EMV 2	25	-	-	-	-	G1/8"-F	G1/8"-F	-	M5-F	70	-	68.0	-	-	-	30.0	16
EMV 3	-	61.5	47	-	-	G1/4"-F	-	-	M3-F	22	60.0	42.0	-	12	5	-	-
EMV 5	32	-	-	-	56	G1/4"-F	G1/4"-F	G1/4"-F	M4-F	71	118.0	46.0	76.0	-	5	38.0	24
EMV 10	62	98.5	-	7.0	80	G1/2"-F	G1/2"-F	G1/2"-F	-	79	108.0	166.5	174.5	-	-	117.5	30
EMV 15	-	-	-	6.5	80	G3/4"-F	G3/4"-F	G3/4"-F	-	114	140.0	209.0	211.0	-	-	133.0	40
EMV 20	-	-	-	8.5	80	G1"-F	G1"-F	G1"-F	-	137	172.0	247.0	245.0	-	-	148.0	45
EMV 25	-	-	-	8.5	80	G1-1/4"-F	G1-1/4"-F	G1-1/4"-F	-	167	200.0	281.0	271.5	-	-	178.0	50