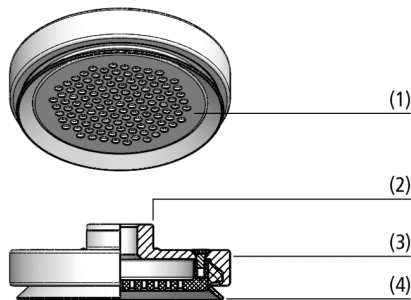


Suction Plates SPL POM-NBR

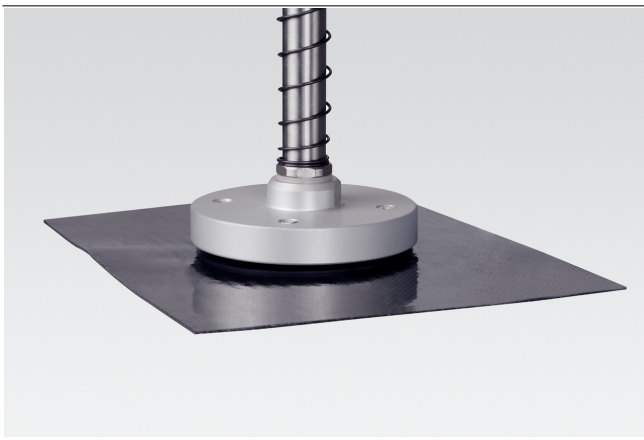
Suction area (Ø) from 40 mm to 115 mm



Suction Plates SPL POM-NBR



System Design Suction Plates SPL POM-NBR



Suction plates SPL POM-NBR being used for handling composite textiles

Suitability for Industry Specific Applications

Applications

- Suction plates for handling flexible materials e.g. prepregs or semi-finished products made of fiber composite material such as CFRP, GFRP
- Handling of sensitive workpieces that must not be deformed such as foils
- Prevention of fiber displacement by "sucking in" (no influence on the fiber orientation)
- Handling free of permanent mechanical marks

Design

- Robust main body (3) made of aluminum; low construction height with spanner flat (2) for assembly
- Sealing ring (4) made of NBR
- Internal support made of POM with suction openings for evenly vacuum distribution (1)

Product Highlights

- Internal support prevents deformation and retraction of flexible workpieces
- Reduced energy consumption with increased lateral force transmission due to particularly uniform vacuum distribution
- No damage to sensitive workpieces due to uniform, high volume flow at low surface pressure

Suction Plates SPL POM-NBR

Suction area (Ø) from 40 mm to 115 mm

Designation Code Suction Plates SPL POM-NBR

SPL	-	40	-	POM-NBR	-	G1/8-IG
1		2		3		4

1 - Abbreviated designation

Code	Version
SPL	Flat

2 - Suction area

Code	Diameter in mm
40...115	ø 40 to 115

3 - Material

Code	Material
POM-NBR	Polyoxymethylene-Nitrile-caoutchuc

4 - Connection

Code	Connection
G1/8-IG	G1/8-IG (IG = female (F))
G1/4-IG	G1/4-IG

Suction plate SPL POM-NBR is available with different diameters and is delivered as a ready-to-connect product.

Ordering Data Suction Plates SPL POM-NBR

Type	Part no.
SPL 40 POM-NBR G1/8-IG	10.01.01.13104
SPL 70 POM-NBR G1/4-IG	10.01.01.13107
SPL 115 POM-NBR G1/4-IG	10.01.01.13110

Technical Data Suction Plates SPL POM-NBR

Type	Suction force (-600 mbar) [N]*	Volume [cm ³]	Hose diameter (recom.) d [mm]**
SPL 40 POM-NBR G1/8-IG	70	5	4
SPL 70 POM-NBR G1/4-IG	217	25	6
SPL 115 POM-NBR G1/4-IG	600	92	9

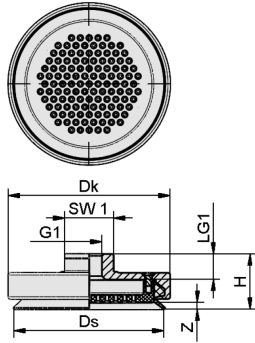
*The specified suction forces are theoretical values at a vacuum of -0.6 bar and with a smooth, dry workpiece surface - they do not include a safety factor

**The recommended hose diameter is based on a hose length of approx. 2 m

Suction Plates SPL POM-NBR

Suction area (\emptyset) from 40 mm to 115 mm

Design Data Suction Plates SPL POM-NBR



SPL POM-NBR

Suction Plates SPL POM-NBR

Suction area (Ø) from 40 mm to 115 mm

Design Data Suction Plates SPL POM-NBR

Type*	Dk [mm]	Ds [mm]	G1	H [mm]	LG1 [mm]	SW1 [mm]	Z (Stroke) [mm]
SPL 40 POM-NBR G1/8-IG	42	39	G1/8"-F	20.5	9.5	17	2
SPL 70 POM-NBR G1/4-IG	73	68	G1/4"-F	24.5	11.5	22	3
SPL 115 POM-NBR G1/4-IG	118	113	G1/4"-F	30.5	12.0	22	4

*Acceptable dimensional tolerances for rubber parts concerning to DIN ISO 3302-1 E3