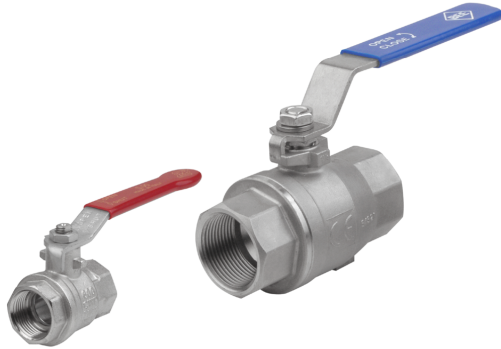


# Two-Way Ball Valves KVZ

Nominal diameter from 8 mm to 50 mm



## Suitability for Industry Specific Applications



### Applications

- Ball valve for manual connection and disconnection of vacuum and compressed air circuits
- For use in vacuum spiders and handling devices
- May be installed in any orientation

Two-Way Ball Valves KVZ

### Design

- Ball valve made of brass (housing and ball)
- Teflon gaskets
- 2/2-way valve

### Product Highlights

- Absolutely airtight valves for vacuum and compressed air
- Wide range of nominal sizes allows optimum adaptation to the nominal flow
- Stable, wear-free brass design

### Designation Code Two-Way Ball Valves KVZ

KVZ	–	8	–	2/2
1		2		3

#### 1 – Abbreviated designation

Code	Version
KVZ	KVZ

#### 2 – Nozzle size

Code	Nozzle size in mm
8...50	8 to 50

#### 3 – Variant

Code	Type
2/2	2/2-way valve

Two-way ball valve KVZ is delivered as a ready-to-connect product.

### Ordering Data Two-Way Ball Valves KVZ

Type	Part no.
KVZ 8 2/2	10.05.08.00018
KVZ 20 2/2	10.05.08.00007
KVZ 32 2/2	10.05.08.00008
KVZ 50 2/2	10.05.08.00009

## Two-Way Ball Valves KVZ

Nominal diameter from 8 mm to 50 mm

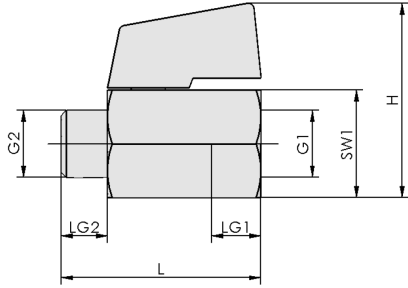
### Technical Data Two-Way Ball Valves KVZ

Type	Nominal size [mm]	Nominal flow rate [m <sup>3</sup> /h]	Nominal flow rate [l/min]	Pressure range (operating pressure) [bar]	Weight [kg]
KVZ 8 2/2	8	10	168	-0.95 ... 15.00 bar	0.077
KVZ 20 2/2	20	45	750	-0.95 ... 15.00 bar	0.280
KVZ 32 2/2	32	100	1,667	-0.95 ... 15.00 bar	0.700
KVZ 50 2/2	50	310	5,167	-0.95 ... 15.00 bar	1.470

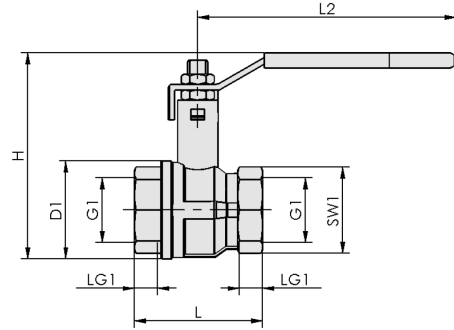
# Two-Way Ball Valves KVZ

Nominal diameter from 8 mm to 50 mm

## Design Data Two-Way Ball Valves KVZ



KVZ 8



KVZ 20 - 50

## Two-Way Ball Valves KVZ

Nominal diameter from 8 mm to 50 mm

### Design Data Two-Way Ball Valves KVZ

Type	D1 [mm]	G1	G2	H [mm]	L [mm]	L2 [mm]	LG1 [mm]	LG2 [mm]	SW1 [mm]
KVZ 8 2/2	-	G1/4"-F	G1/4"-M	38	39	-	11	9	21
KVZ 20 2/2	39	G3/4"-F	-	70	54	120	12	-	31
KVZ 32 2/2	59	G1-1/4"-F	-	125	77	155	16	-	48
KVZ 50 2/2	86	G2"-F	-	151	106	155	20	-	66