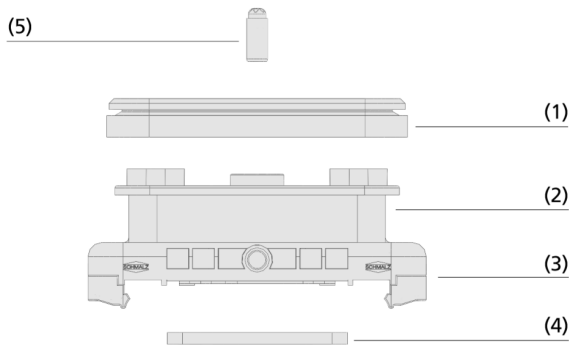


Vacuum Blocks VCBL-S1

For TV and TVN systems from SCM · Height 32.7 mm and 50 mm



Vacuum Blocks VCBL-S1



System design Vacuum Blocks VCBL-S1



Vacuum blocks VCBL-S used with SCM consoles

Suitability for industry specific applications

Applications

- Hose-free Schmalz clamping system for console tables from SCM / Morbidelli, fully compatible with original equipment
- The vacuum blocks are mechanically pre-fixed via the console
- The integrated touch valve allows unused vacuum blocks to remain on the machine table
- TV system from SCM = S1 system from Schmalz (width of console 72.5 mm)
- TVS system from SCM = S1 system from Schmalz with hose connection (width of console 72.5 mm)

Design

- Top suction plate (1) for fixing the workpiece
- Robust main body (2) made of plastic
- Dovetail mount (3) for mechanical pre-fixation on SCM / Morbidelli consoles
- Sealing frame (4) optimized for easy sliding of the vacuum block on the console
- Touch valve (5) for activating the vacuum

Product highlights

- Highest holding forces in wood applications thanks to optimized seals and friction pads
- Highest dimensional accuracy for more precision in the production process
- Wide range of products offers maximum flexibility and enables short set-up times
- Suction plates can be replaced quickly, easily and economically without tools

Vacuum Blocks VCBL-S1

For TV and TVN systems from SCM · Height 32.7 mm and 50 mm

Designation code Vacuum Blocks VCBL-S1

VCBL-S1	-	120x50	-	32.7	-	D-360	-	TV
1		2		3		4		5

1 – Abbreviated designation

Code	Type
VCBL-S1	Vacuum block, SCM / Morbidelli TV system

2 – Suction area

Code	LxW in mm
140x115...	140x115 to 130x30
130x30	

3 – Height

Code	Height in mm
x32.7...	32.7 and 50
x50	

4 – Product addition

Code	Type
D-360	Rotatable by 360°

5 – Product addition

Code	Type
TV	With touch valve
TV-S	With touch valve and hose connection

The vacuum block VCBL-S1 is delivered assembled. The product consists of:




- Top suction plate type VCSP-O - elastomer part, available in different dimensions and suction surfaces
- Main body made of plastic
- Bottom sealing frame

Available spare parts: suction plate (top), sealing frame, touch valve TV, wear part set
Available accessories: suction plate foam rubber

Ordering data Vacuum Blocks VCBL-S1

Type				140x115	120x120	125x75	120x50	130x30
VCBL-S1	32.7	D-360	TV	10.01.12.01299	-	10.01.12.01302	10.01.12.01301	10.01.12.01300
VCBL-S1	32.7	-	TV	-	10.01.12.02317	10.01.12.02318	10.01.12.02319	10.01.12.02320
VCBL-S1	32.7	-	TV-S	-	10.01.12.02386	10.01.12.02387	10.01.12.02388	10.01.12.02389
VCBL-S1	50.0	D-360	TV	-	-	-	10.01.12.02271	-
VCBL-S1	50.0	-	TV	-	10.01.12.02969	10.01.12.03495	10.01.12.02591	10.01.12.02945


Ordering data Spare parts Vacuum Blocks VCBL-S1

Type	Spare parts		Part no.
VCBL-S1	120x120	Suction plate (top)	VCSP-O 120x120x16.5 TPE 10.01.12.00010 
VCBL-S1	125x75	Suction plate (top)	VCSP-O 125x75x16.5 10.01.12.00011 
VCBL-S1	120x50	Suction plate (top)	VCSP-O 120x50x15.5 10.01.12.00012 
VCBL-S1	130x30	Set of spare parts	ERS VCSP 10.01.12.01543

Type	Spare parts		Part no.
VCBL-S1	Touch Valve	TV D9 4.3	10.01.12.02514

Type	Spare parts		Part no.
VCBL-S1	Sealing frame (bottom)	VCDR 115.5x43x5 VCBL-S	10.01.12.03569

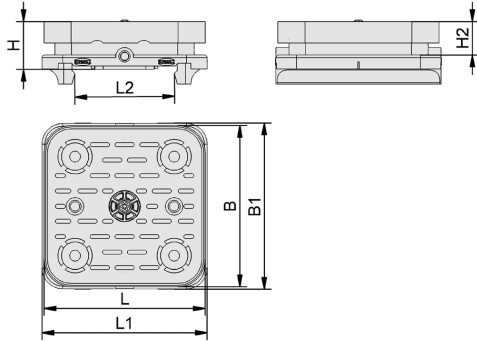
Ordering data Accessories Vacuum Blocks VCBL-S1

Type	Accessories			Part no.
VCBL-S1	125x75	Suction plate (top)	Foam rubber suction plate	VCSP-O 125x75x17.7 MOS 10.01.12.03511 

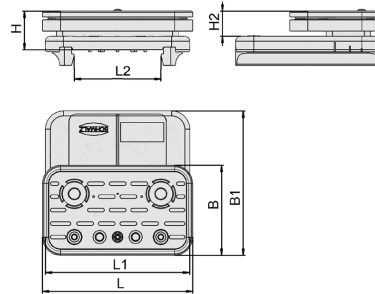
Vacuum Blocks VCBL-S1

For TV and TVN systems from SCM · Height 32.7 mm and 50 mm

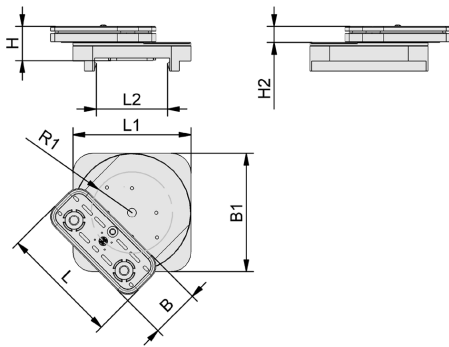
Design data Vacuum Blocks VCBL-S1



VCBL-S1 120x120



VCBL-S1 120x50, VCBL-S1 125x75, VCBL-S1 130x30



VCBL-S1 D-360

Vacuum Blocks VCBL-S1

For TV and TVN systems from SCM · Height 32.7 mm and 50 mm

Design data Vacuum Blocks VCBL-S1

Type	B [mm]	B1 [mm]	H [mm]	H2 [mm]	L [mm]	L1 [mm]	L2 [mm]
VCBL-S1 120x120x32.7 TV	120	120	32.71	22.50	120	120	72.5
VCBL-S1 120x120x32.7 TV-S	120	120	32.71	22.50	120	120	72.5
VCBL-S1 125x75x32.7 TV	75	120	32.71	20.00	125	120	72.5
VCBL-S1 125x75x32.7 TV-S	75	120	32.71	20.00	125	120	72.5
VCBL-S1 120x50x32.7 TV	50	120	32.71	20.00	120	120	72.5
VCBL-S1 120x50x32.7 TV-S	50	120	32.71	20.00	120	120	72.5
VCBL-S1 130x30x32.7 TV	30	120	32.71	20.00	130	120	72.5
VCBL-S1 130x30x32.7 TV-S	30	120	32.71	20.00	130	120	72.5
VCBL-S1 120x120x50 TV	120	120	50.00	31.50	120	120	72.5
VCBL-S1 125x75x50 TV	75	120	50.00	37.71	125	120	72.5
VCBL-S1 120x50x50 TV	50	120	50.00	37.00	120	120	72.5
VCBL-S1 130x30x50 TV	30	120	50.00	37.00	130	120	72.5

Type	B [mm]	B1 [mm]	H [mm]	H2 [mm]	L [mm]	L1 [mm]	L2 [mm]	R1 [mm]
VCBL-S1 140x115x32.7 D-360 TV	115	120	32.71	-	140	-	-	-
VCBL-S1 125x75x32.7 D-360 TV	75	120	32.71	15.0	125	120	72.5	13.8
VCBL-S1 120x50x32.7 D-360 TV	50	120	32.71	16.0	120	120	72.5	41.3
VCBL-S1 120x50x50 D-360 TV	50	120	50.00	31.5	120	120	72.5	41.3
VCBL-S1 130x30x32.7 D-360 TV	30	120	32.71	15.0	130	120	72.5	41.3