

## Vacuum Cup Filters VFT

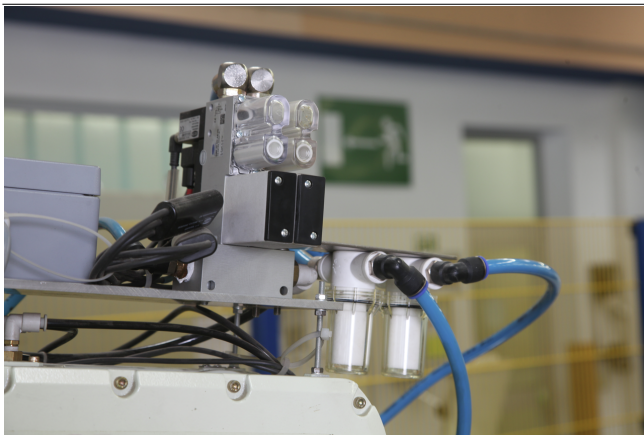
Nominal flow from 45 l/min to 770 l/min



Vacuum Cup Filters VFT

### Design

- Vacuum cup filter with filter cup made of clear nylon
- Filter cartridge made of polyethylene (pore size 80 µm) or stainless steel (pore size 100 µm)
- Stainless steel cartridge can be cleaned and reused several times



### Designation Code Vacuum Cup Filters VFT

### Suitability for Industry Specific Applications

#### Applications

- Vacuum cup filter for protection of easily damaged vacuum generators by pre-filtering of the air
- Filtering of vacuum and compressed air at pressures up to 7 bar
- Filtering light to medium contaminated air with pore size 80 µm
- Filtering heavy contaminated air with pore size 100 µm

#### Product Highlights

- (Pre-)filter for every vacuum generator thanks to a wide range of sizes
- Filter elements with a high degree of separation protect vacuum generators optimally
- Ideally suited as pre-filters and fine filters thanks to filter fineness of 80 and 100 µm
- Easy to clean, durable filter elements made of stainless steel (100 µm) and polyethylene (80 µm)

# Vacuum Cup Filters VFT

Nominal flow from 45 l/min to 770 l/min



### 1 – Abbreviated designation

Code	Version
VFT	VFT

### 2 – Connection

Code	Connection
G1/8-IG	G1/8-IG (IG = female (F))
G1/4-IG	G1/4-IG
G3/8-IG	G3/8-IG
G1/2-IG	G1/2-IG
G3/4-IG	G3/4-IG

### 3 – Filter fineness

Code	Filter fineness in µm
80...100	80 and 100

Vacuum filter VFT is delivered as a ready-to-connect product.

Available spare parts: filter cartridge (filter insert)

Available accessories: filter holder

## Ordering Data Vacuum Cup Filters VFT

Type	Part no.
VFT G1/8-IG 80	10.07.01.00116
VFT G1/8-IG 100	10.07.01.00117
VFT G1/4-IG 80	10.07.01.00119
VFT G1/4-IG 100	10.07.01.00120
VFT G3/8-IG 80	10.07.01.00122
VFT G3/8-IG 100	10.07.01.00123
VFT G1/2-IG 80	10.07.01.00125
VFT G1/2-IG 100	10.07.01.00126
VFT G3/4-IG 80	10.07.01.00128
VFT G3/4-IG 100	10.07.01.00129

## Ordering Data Spare Parts Vacuum Cup Filters VFT

Type	Spare Parts	Part no.
VFT G1/8-IG 80	Filter insert (round)	FILT-EINS 80 25x37 PE VFT-1/8-1/4
VFT G1/8-IG 100	Filter insert (round)	FILT-EINS 100 25x37 A2 VFT-1/8+1/4
VFT G1/4-IG 80	Filter insert (round)	FILT-EINS 80 25x37 PE VFT-1/8-1/4
VFT G1/4-IG 100	Filter insert (round)	FILT-EINS 100 25x37 A2 VFT-1/8+1/4
VFT G3/8-IG 80	Filter insert (round)	FILT-EINS 80 25x71 PE VFT-3/8-1/2
VFT G3/8-IG 100	Filter insert (round)	FILT-EINS 100 25x71 A2 VFT-3/8+1/2
VFT G1/2-IG 80	Filter insert (round)	FILT-EINS 80 25x71 PE VFT-3/8-1/2
VFT G1/2-IG 100	Filter insert (round)	FILT-EINS 100 25x71 A2 VFT-3/8+1/2
VFT G3/4-IG 80	Filter insert (round)	FILT-EINS 80 39x89 PE VFT-3/4
VFT G3/4-IG 100	Filter insert (round)	FILT-EINS 100 39x89 A2 VFT-3/4

# Vacuum Cup Filters VFT

Nominal flow from 45 l/min to 770 l/min

## Ordering Data Accessories Vacuum Cup Filters VFT

Type	Accessories		Part no.
VFT G1/8-IG 80	-	-	-
VFT G1/8-IG 100	-	-	-
VFT G1/4-IG 80	-	-	-
VFT G1/4-IG 100	-	-	-
VFT G3/8-IG 80	-	-	-
VFT G3/8-IG 100	-	-	-
VFT G1/2-IG 80	-	-	-
VFT G1/2-IG 100	-	-	-
VFT G3/4-IG 80	-	-	-
VFT G3/4-IG 100	-	-	-

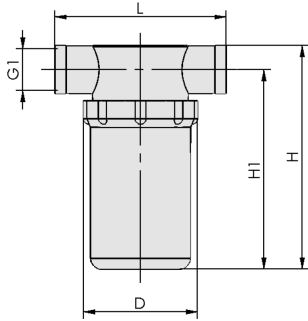
## Technical Data Vacuum Cup Filters VFT

Type	Filter pore size [µm]	Nominal flow rate [l/min]	Nominal flow rate [m³/h]	Max. vacuum [mbar]	Overpressure (max.) at 25° C [bar]	Overpressure (max.) at 50° C [bar]	Weight [g]
VFT G1/8-IG 80	80	45	2.7	-990	7	5	49
VFT G1/8-IG 100	100	50	3.0	-990	7	5	49
VFT G1/4-IG 80	80	110	6.6	-990	7	5	47
VFT G1/4-IG 100	100	140	8.4	-990	7	5	47
VFT G3/8-IG 80	80	245	14.7	-990	7	5	79
VFT G3/8-IG 100	100	290	17.4	-990	7	5	79
VFT G1/2-IG 80	80	300	18.0	-990	7	5	76
VFT G1/2-IG 100	100	320	19.2	-990	7	5	76
VFT G3/4-IG 80	80	600	36.0	-990	7	5	164
VFT G3/4-IG 100	100	770	46.2	-990	7	5	164

## Vacuum Cup Filters VFT

Nominal flow from 45 l/min to 770 l/min

### Design Data Vacuum Cup Filters VFT



VFT

## Vacuum Cup Filters VFT

Nominal flow from 45 l/min to 770 l/min

### Design Data Vacuum Cup Filters VFT

Type	D [mm]	G1	H [mm]	H1 [mm]	L [mm]
VFT G1/8-IG 80	48.0	G1/8"-F	60	50	76
VFT G1/8-IG 100	48.0	G1/8"-F	60	50	76
VFT G1/4-IG 80	48.0	G1/4"-F	60	50	76
VFT G1/4-IG 100	48.0	G1/4"-F	60	50	76
VFT G3/8-IG 80	48.5	G3/8"-F	101	88	78
VFT G3/8-IG 100	48.5	G3/8"-F	101	88	78
VFT G1/2-IG 80	48.0	G1/2"-F	101	88	78
VFT G1/2-IG 100	48.5	G1/2"-F	101	88	78
VFT G3/4-IG 80	75.0	G3/4"-F	137	118	91
VFT G3/4-IG 100	75.0	G3/4"-F	137	118	91