

Vacuum Filters VF / STF / STF-D

Nominal flow from 100 l/min to 8,000 l/min



Vacuum Filters VF / STF / STF-D

Design

- Type VF: aluminum filter house, cover screwed on, filter cartridge with wire mesh or paper filter
- Type STF N: sheet steel filter housing, cover clipped on, filter cartridge with special paper filter
- Types STF P: plastic filter housing, cover clipped on, with mounting bracket, filter cartridge with special paper filter, large connections
- Type STF-D P: with additional pressure monitor for measuring the degree of contamination

Suitability for Industry Specific Applications

Applications

- Vacuum filter for protection of sensitive vacuum generators by pre-filtering the air
- For use in dusty surroundings; removal of almost 100 % of the dust and dirt

Product Highlights

- Wide range of sizes, suitable for every vacuum generator
- Cost saving and environmentally friendly replacement filter cartridges
- Filter elements with a degree of separation of almost 100 % protect vacuum generators optimally
- Optional with monitoring of the degree of contamination for shorter downtimes

Ordering Data Vacuum Filters VF / STF / STF-D

Type*	Part no.
STF 60 P 4.5 SSD	10.07.01.00259
STF 60 P 6.0 SSD	10.07.01.00260
STF 75 P 8.0 SSD	10.07.01.00263
STF 75 P 12.0 SSD	10.07.01.00399
STF 100 P 15.0 SSB	10.07.01.00400
STF G3/4-IG N	10.07.01.00007
STF G1-1/4-IG N	10.07.01.00008
STF G2-1/2-IG N	10.07.01.00010
STF-D 60 P 4.5 F SSD	10.07.01.00266
STF-D 60 P 6.0 F SSD	10.07.01.00262
STF-D 75 P 8.0 F SSD	10.07.01.00265
VF-6 G1/4-IG 15	10.07.01.00003
VF-10 G3/8-IG 50	10.07.01.00004

*STF-D: incl. differential pressure monitor to control the filter

Vacuum Filters VF / STF / STF-D

Nominal flow from 100 l/min to 8,000 l/min

Ordering Data Spare Parts Vacuum Filters VF / STF / STF-D

Type	Spare Parts		Part no.
STF 60 P 4.5 SSD	Filter insert (round)	FILT-EINS 3 124x320 PAP STF-Picl-4.5	10.07.01.00060
STF 60 P 6.0 SSD	Filter insert (round)	FILT-EINS 3 149x361 PAP STF-Picl-6	10.07.01.00054
STF 75 P 8.0 SSD	Filter insert (round)	FILT-EINS 3 159x376 STF-Picl-8	10.07.01.00079
STF 75 P 12.0 SSD	Filter insert (round)	FILT-EINS 194x401 PAP STF-Picl-12	10.07.01.00361
STF 100 P 15.0 SSB	-	-	-
STF G3/4-IG N	Filter insert (round)	FILT-EINS 3 65x70 PAP STF-3/4-IG	10.07.01.00017
STF G1-1/4-IG N	Filter insert (round)	FILT-EINS 3 98x70 PAP STF-1-1/4-IGN	10.07.01.00018
STF G2-1/2-IG N	Filter insert (round)	FILT-EINS 3 150x222 PAP STF-2-1/2-IG	10.07.01.00020
STF-D 60 P 4.5 F SSD	Filter insert (round)	FILT-EINS 3 124x320 PAP STF-Picl-4.5	10.07.01.00060
STF-D 60 P 6.0 F SSD	Filter insert (round)	FILT-EINS 3 149x361 PAP STF-Picl-6	10.07.01.00054
STF-D 75 P 8.0 F SSD	Filter insert (round)	FILT-EINS 3 159x376 STF-Picl-8	10.07.01.00079
VF-6 G1/4-IG 15	Filter insert (round)	FILT-EINS 15 27x23 A2 VF-1/4-Draht	10.07.01.00013
VF-10 G3/8-IG 50	Filter insert (round)	FILT-EINS 50 28x51 PAP VF-3/8	10.07.01.00014

Ordering Data Accessories Vacuum Filters VF / STF / STF-D

Type	Accessories		Part no.
VF-6 G1/4-IG 15	Mounting bracket	BEF-WIN 42x36x48 2 PVT-PVS	10.07.01.00011
VF-10 G3/8-IG 50	Mounting bracket	BEF-WIN 42x36x48 2 PVT-PVS	10.07.01.00011

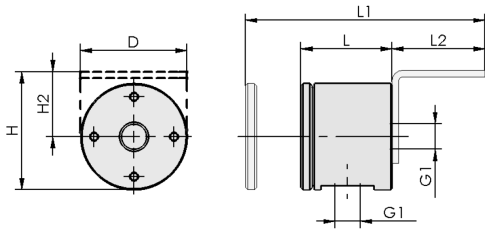
Technical Data Vacuum Filters VF / STF / STF-D

Type	Filter pore size [µm]	Nominal flow rate [l/min]	Nominal flow rate [m³/h]	Max. vacuum [mbar]	Overpressure (max.) at 25° C [bar]	Weight [kg]
VF-6 G1/4-IG 15	15	100	6	-950	6.0	0.13
VF-10 G3/8-IG 50	50	166	10	-950	6.0	0.22
STF G3/4-IG N	3	700	42	-950	1.0	0.50
STF G1-1/4-IG N	3	1,600	96	-950	1.0	1.00
STF G2-1/2-IG N	3	6,000	360	-950	1.0	4.30
STF 60 P 4.5 SSD	3	4,500	270	-500	0.3	2.00
STF 60 P 6.0 SSD	3	6,000	360	-500	0.3	2.40
STF 75 P 8.0 SSD	3	8,000	480	-500	0.3	2.60
STF 75 P 12.0 SSD	3	12,000	720	-500	-	4.00
STF-D 60 P 4.5 F SSD	3	4,500	270	-500	0.3	2.10
STF-D 60 P 6.0 F SSD	3	6,000	360	-500	0.3	2.40
STF-D 75 P 8.0 F SSD	3	8,000	480	-500	0.3	2.60

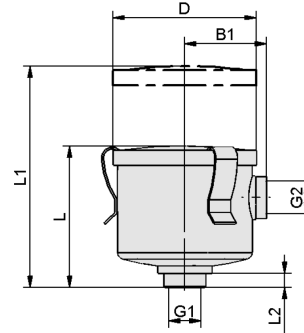
Vacuum Filters VF / STF / STF-D

Nominal flow from 100 l/min to 8,000 l/min

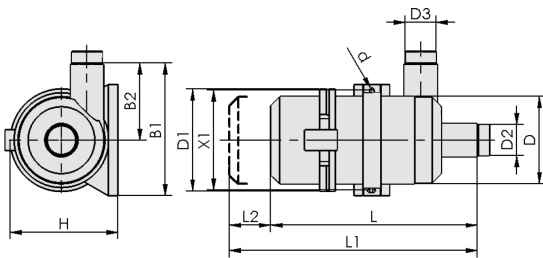
Design Data Vacuum Filters VF / STF / STF-D



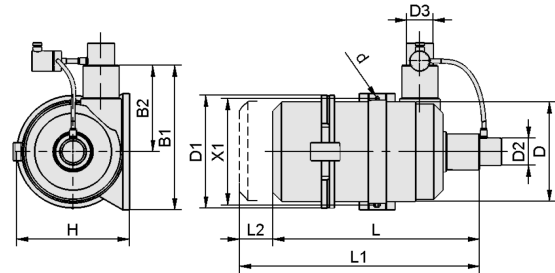
VF



STF G3/4, STF G1-1/4, STF G2-1/2



STF 60, STF 75



STF-D

Vacuum Filters VF / STF / STF-D

Nominal flow from 100 l/min to 8,000 l/min

Design Data Vacuum Filters VF / STF / STF-D

Type	B1 [mm]	B2 [mm]	d [mm]	D [mm]	D1 [mm]	D2 [mm]	D3 [mm]	G1	G2	H [mm]	H2 [mm]	L [mm]	L1 [mm]	L2 [mm]	X1 [mm]
VF-6 G1/4-IG 15	-	-	-	48	-	-	-	G1/4"-F	-	54	30	41	108	42	-
VF-10 G3/8-IG 50	-	-	-	48	-	-	-	G3/8"-F	-	54	30	70	157	42	-
STF G3/4- IG N	59	-	-	97	-	-	-	G3/4"-F	G3/4"-F	-	-	89	159	6	-
STF G1-1/4-IG N	81	-	-	136	-	-	-	G1-1/4"-F	G1-1/4"-F	-	-	116	191	17	-
STF G2-1/2-IG N	123	-	-	200	-	-	-	G2-1/2"-F	G2-1/2"-F	-	-	250	490	12	-
STF 60 P 4.5 SSD	221	112	9	170	198	60	60	-	-	218	-	355	658	303	192
STF 60 P 6.0 SSD	265	142	9	200	229	60	60	-	-	253	-	390	741	351	220
STF 75 P 8.0 SSD	300	168	9	228	240	75	75	-	-	251	-	439	579	140	240
STF 75 P 12.0 SSD	369	214	9	264	288	75	75	-	-	335	-	445	829	384	280
STF-D 60 P 4.5 F SSD	221	112	9	170	198	60	60	-	-	218	-	355	658	303	192
STF-D 60 P 6.0 F SSD	265	142	9	200	229	60	60	-	-	253	-	390	741	351	220
STF-D 75 P 8.0 F SSD	280	148	9	228	248	75	75	-	-	260	-	415	774	359	237