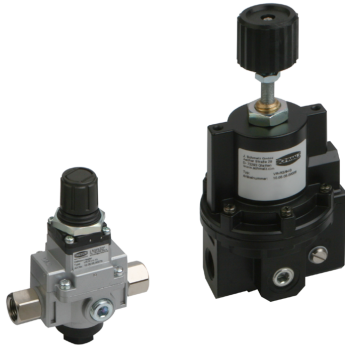


# Vacuum Regulators VR

Working range from -990 mbar to -14 mbar



## Suitability for Industry Specific Applications



### Applications

- Compensation for the pressure variations inherent in vacuum generators
- For use in testing and measuring applications

Vacuum Regulators VR

### Design

- Vacuum regulator in a robust aluminum housing; diaphragm made of FPM
- Continuous adjustment with the aid of a spindle

### Product Highlights

- Mechanically adjustable vacuum regulator enables highest repeatability
- Keeps vacuum value constant, independent of pressure fluctuations of the vacuum generator

### Designation Code Vacuum Regulators VR

<b>VR</b>	-	<b>G1/4-IG</b>	-	<b>HW</b>
1		2		3

#### 1 – Abbreviated designation

Code	Version
VR	VR

#### 2 – Connection

Code	Connection
G1/4-IG	G1/4-IG (IG = female (F))
G3/8-IG	G3/8-IG

#### 3 – Possibility for mounting

Code	Possibility for mounting
HW	Holding angle

Vacuum regulator VR is delivered as a ready-to-connect product, including holding angle.

### Ordering Data Vacuum Regulators VR

Type*	Part no.
VR G1/4-IG HW	10.05.05.00075
VR G3/8-IG HW	10.05.05.00026

\*Suitable manometers can be found under "Manometer VAM"

# Vacuum Regulators VR

Working range from -990 mbar to -14 mbar

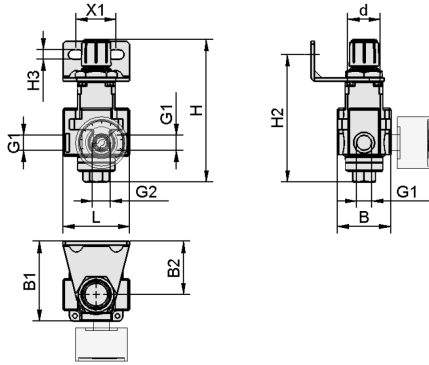
## Technical Data Vacuum Regulators VR

Type	Vacuum range	Repeatability	Flow rate max. [l/min]	Flow rate max. [m <sup>3</sup> /h]	Operating temperature [°C]	Weight [kg]	Pressure max. [bar]
VR G1/4-IG HW	-950 ... -25 mbar	± 2% of full-scale value	140	9	5 ... 60 °C	0.20	5
VR G3/8-IG HW	-990 ... -14 mbar	5 mbar	195	12	5 ... 60 °C	0.65	5

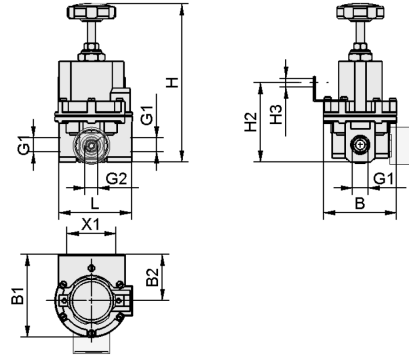
# Vacuum Regulators VR

Working range from -990 mbar to -14 mbar

## Design Data Vacuum Regulators VR



VR G1/4-IG



VR G3/8-IG

## Vacuum Regulators VR

Working range from -990 mbar to -14 mbar

### Design Data Vacuum Regulators VR

Type	B [mm]	B1 [mm]	B2 [mm]	d [mm]	G1	G2	H [mm]	H2 [mm]	H3 [mm]	L [mm]	X1 [mm]
VR G1/4-IG HW	40.0	60.0	40	24	G1/4"-F	G1/4"-F	109	95.7	7	84	30
VR G3/8-IG HW	76.4	87.2	49	-	G3/8"-F	G1/4"-F	177	82.3	9	76	45