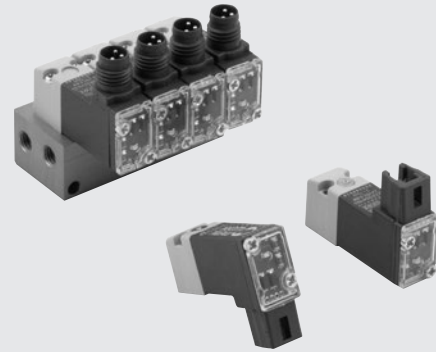


# 10-mm SOLENOID VALVES SERIES PLT-10



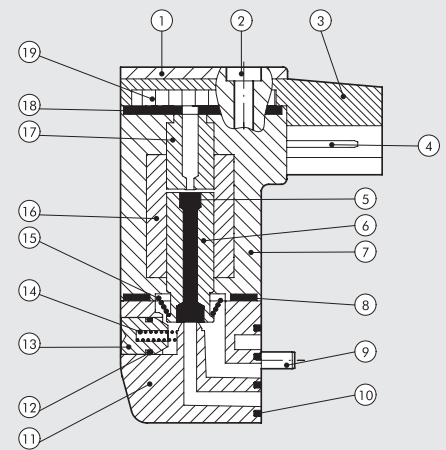
PLT-10 solenoid valves are the latest development in modern pneumatic design, where the main trends focus on miniaturisation, enhanced performance, reduced power and reliability. Numerous versions are available, all with an ISO 15218 pneumatic interface. The power required to operate the PLT-10 has been greatly reduced, ranging from 0.3 to 0.8 Watts. It is available with a LED indicating when it is active. Monostable manual control is also possible. None of the versions will get damaged if the polarity is accidentally inverted.



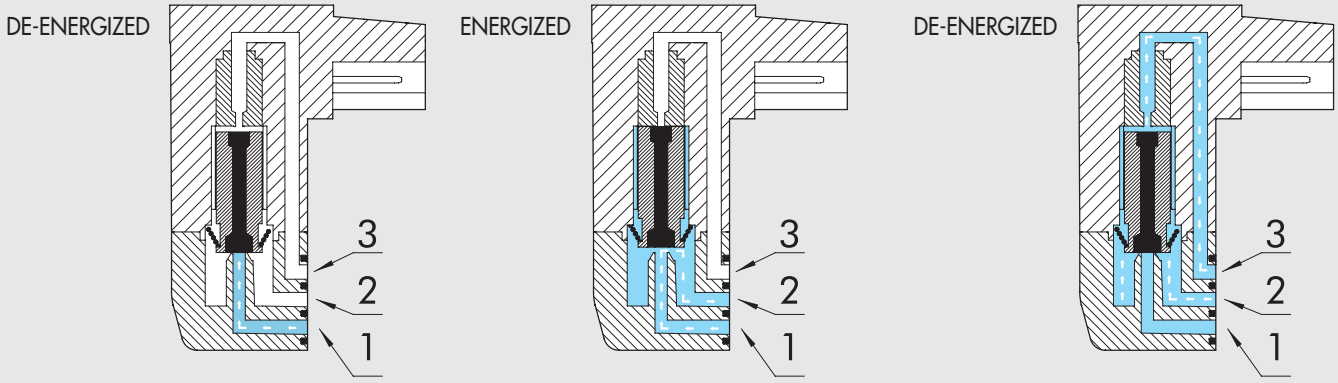
| TECHNICAL DATA                   |    |   |
|----------------------------------|----|---|
| Type                             |    | 3/2 NC  |
| Operating temperature range (Te) | °C | 5 to 50   |
| Fluid temperature (Tg)           | °C | 5 to 50   |
| Fluid                            |    | Filtered, lubricated or unlubricated air        |
| Operating life                   |    | Over 50 million cycles                          |
| Weight                           | g  | 12  |
| Voltage tolerance                | ΔV | ± 10 %  |
| Max operating frequency          | f  | 30 Hz   |
| Switching factor                 | ED | 100 %   |
| Insulation class                 |    | F155  |
| Index of protection              |    | IP51 for PLUG-IN version<br>IP65 for M8 version |

## COMPONENTS

- ① TRANSPARENT COVER: PA612-transparent
- ② ASSEMBLY SCREWS: zinc-plated steel
- ③ COVER: PA66
- ④ PIN
- ⑤ MOBILE CORE OVER-STAMPING: FKM/FPM
- ⑥ MOBILE CORE: AISI 403F
- ⑦ COIL OVER-STAMPING: PA66
- ⑧ BODY-COIL GASKET: NBR70
- ⑨ ASSEMBLY SCREWS: zinc-plated steel
- ⑩ BODY GASKET: NBR
- ⑪ BODY: PA66
- ⑫ MANUAL GASKET: NBR (only for version with manual operated)
- ⑬ MANUAL CONTROL: AISI 303 (only for version with manual operated)
- ⑭ MANUAL SPRING: AISI 302 (only for version with manual operated)
- ⑮ SPRING: AISI 302
- ⑯ WINDING: PPS - Copper wire
- ⑰ FIXED CORE: AISI 430F
- ⑱ COIL-COVER GASKET: NBR
- ⑲ ELECTRONIC BOARD (only for version with electronic board)

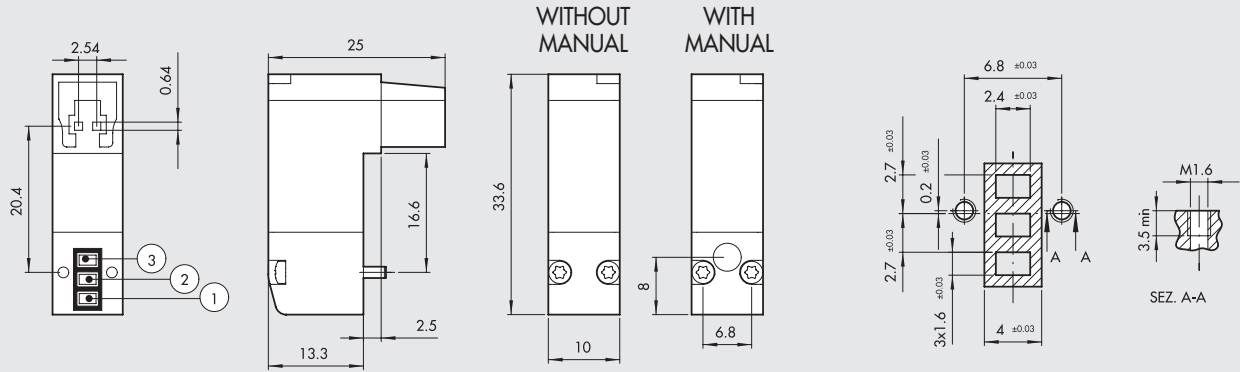


## OPERATING CHART



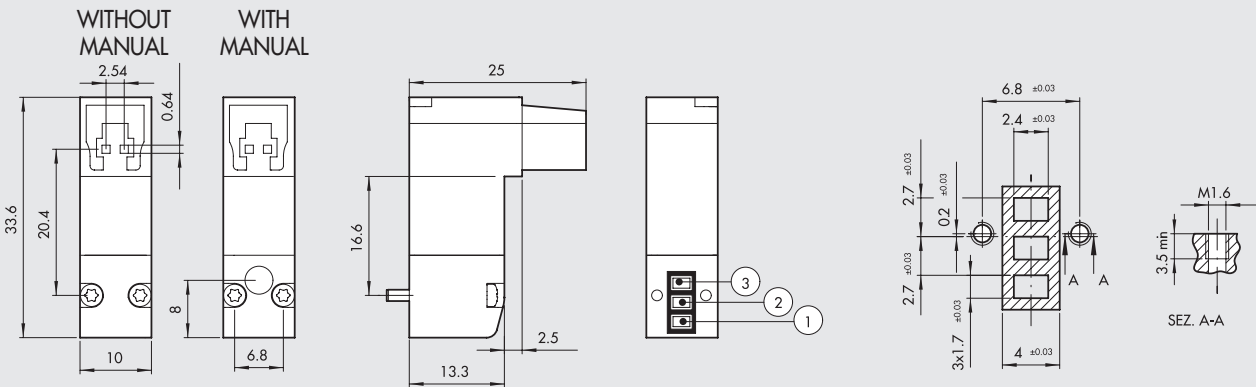
VALVES  
10-mm SOLENOID VALVES SERIES PLT-10

PLT-10 WITH BASE AND PLUG-IN CONNECTION ON THE SAME SIDE



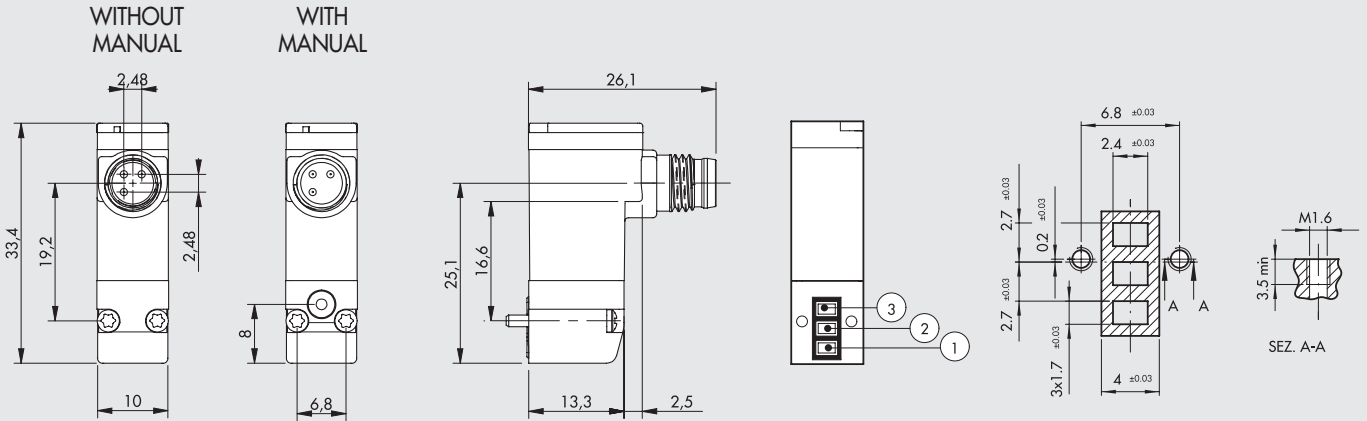
| Version 3/2 NC   | Code         | Manual  | Voltage [Volt] | Power [Watt] | Through Ø [mm] | Operating press. [bar] | Flow rate at 6 bar ΔP=1 bar [NI/min] | Tmax coil a 24VDC Te 20°C α ED100% [°C] | Weight [g] |
|------------------|--------------|---------|----------------|--------------|----------------|------------------------|--------------------------------------|---|------------|
| Without LED      | 722113330000 | without | 12 VDC         | 0.7          | 0.6            | 3 to 7                 | 9                                    | 93                                      | 12         |
|                  | 722113330100 | with    | 12 VDC         | 0.7          | 0.6            | 3 to 7                 | 9                                    | 93                                      | 12         |
|                  | 722113340000 | without | 24 VDC         | 0.7          | 0.6            | 3 to 7                 | 9                                    | 93                                      | 12         |
|                  | 722113340100 | with    | 24 VDC         | 0.7          | 0.6            | 3 to 7                 | 9                                    | 93                                      | 12         |
| With LED         | 722113531000 | without | 12 VDC         | 0.8          | 0.6            | 3 to 7                 | 9                                    | 93                                      | 12         |
|                  | 722113531100 | with    | 12 VDC         | 0.8          | 0.6            | 3 to 7                 | 9                                    | 93                                      | 12         |
|                  | 722113541000 | without | 24 VDC         | 0.8          | 0.6            | 3 to 7                 | 9                                    | 93                                      | 12         |
|                  | 722113541100 | with    | 24 VDC         | 0.8          | 0.6            | 3 to 7                 | 9                                    | 93                                      | 12         |
| SPEED-UP and LED | 722116841000 | without | 24 VDC         | 3/0.3        | 1.2            | 2 to 7                 | 16                                   | 51                                      | 12         |
|                  | 722116841100 | with    | 24 VDC         | 3/0.3        | 1.2            | 2 to 7                 | 16                                   | 51                                      | 12         |
|                  | 722116941000 | without | 24 VDC         | 4.2/0.7      | 1.2            | 2 to 7                 | 30                                   | 51                                      | 12         |
|                  | 722116941100 | with    | 24 VDC         | 4.2/0.7      | 1.2            | 2 to 7                 | 30                                   | 51                                      | 12         |

PLT-10 WITH BASE AND PLUG-IN CONNECTION ON OPPOSITE SIDES



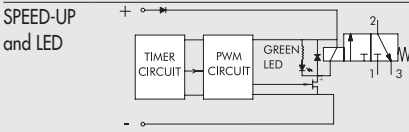
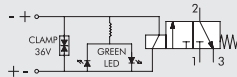
| Version 3/2 NC | Code         | Manuale | Voltage [Volt] | Power [Watt] | Through Ø [mm] | Operating press. [bar] | Flow rate at 6 bar ΔP=1 bar [NI/min] | Tmax coil a 24VDC Te 20°C α ED100% [°C] | Weight [g] |
|----------------|--------------|---------|----------------|--------------|----------------|------------------------|--------------------------------------|---|------------|
| Without LED    | 722213330000 | without | 12 VDC         | 0.7          | 0.6            | 3 to 7                 | 9                                    | 93                                      | 12         |
|                | 722213330100 | with    | 12 VDC         | 0.7          | 0.6            | 3 to 7                 | 9                                    | 93                                      | 12         |
|                | 722213340000 | without | 24 VDC         | 0.7          | 0.6            | 3 to 7                 | 9                                    | 93                                      | 12         |
|                | 722213340100 | with    | 24 VDC         | 0.7          | 0.6            | 3 to 7                 | 9                                    | 93                                      | 12         |
| With LED       | 722213531000 | without | 12 VDC         | 0.8          | 0.6            | 3 to 7                 | 9                                    | 93                                      | 12         |
|                | 722213531100 | with    | 12 VDC         | 0.8          | 0.6            | 3 to 7                 | 9                                    | 93                                      | 12         |
|                | 722213541000 | without | 24 VDC         | 0.8          | 0.6            | 3 to 7                 | 9                                    | 93                                      | 12         |
|                | 722213541100 | with    | 24 VDC         | 0.8          | 0.6            | 3 to 7                 | 9                                    | 93                                      | 12         |
| SPEED-UP e LED | 722216841000 | without | 24 VDC         | 3/0.3        | 1.2            | 2 to 7                 | 16                                   | 51                                      | 12         |
|                | 722216841100 | with    | 24 VDC         | 3/0.3        | 1.2            | 2 to 7                 | 16                                   | 51                                      | 12         |
|                | 722216941000 | without | 24 VDC         | 4.2/0.7      | 1.2            | 2 to 7                 | 30                                   | 51                                      | 12         |
|                | 722216941100 | with    | 24 VDC         | 4.2/0.7      | 1.2            | 2 to 7                 | 30                                   | 51                                      | 12         |

**PLT-10 WITH BASE AND M8 CONNECTION ON OPPOSITE SIDES**



- 1 Not used
- 3 0 V (Operation also with reverse polarity)
- 4 +24V

| Version 3/2 NC   | Code         | Manual  | Voltage [Volt] | Power [Watt] | Through Ø [mm] | Operating press. [bar] | Flow rate at 6 bar ΔP=1 bar [Nl/min] | Tmax coil a 24VDC Te 20°C α ED100% [°C] | Weight [g] |
|------------------|--------------|---------|----------------|--------------|----------------|------------------------|--------------------------------------|---|------------|
| With LED         | 7222M3541000 | without | 24 VDC         | 0.8          | 0.6            | 3 to 7                 | 9                                    | 93                                      | 12         |
|                  | 7222M3541100 | with    | 24 VDC         | 0.8          | 0.6            | 3 to 7                 | 9                                    | 93                                      | 12         |
| SPEED-UP and LED | 7222M6941000 | without | 24 VDC         | 4.2/0.7      | 1.2            | 2 to 7                 | 30                                   | 51                                      | 12         |
|                  | 7222M6941100 | with    | 24 VDC         | 4.2/0.7      | 1.2            | 2 to 7                 | 30                                   | 51                                      | 12         |

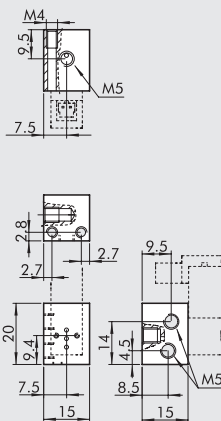


**KEY TO CODES**

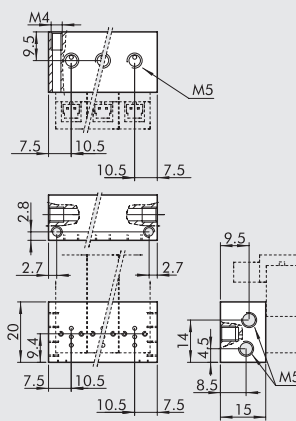
| 7 2 2                           | 1                                    | 1                | 3         | 3           | 4        | 0     | 1                   | 00          |
|---------------------------------|--------------------------------------|------------------|-----------|-------------|----------|-------|---------------------|-------------|
| FAMILY                          | POSITIONING                          | POWER CONNECTION | Ø THROUGH | POWER       | VOLTAGE  | LED   | MANUAL CONTROL      | VERSION     |
| Solenoid valves series "PLT-10" | 1 Base and connection on same side   | 1 Plug-in        | 3 0.6 mm  | 3 0.7 W     | 3 12 VDC | 0 -   | 0 -                 | 00 Standard |
|                                 | 2 Base and connection opposite sides |                  | 6 1.2 mm  | 5 0.8 W     | 4 24 VDC | 1 LED | 1 Manual monostable |             |
|                                 | 2 Base and connection opposite sides | M M8x1           |           | 8 3/0.3 W   |          |       |                     |             |
|                                 |                                      |                  |           | 9 4.2/0.7 W |          |       |                     |             |
|                                 |                                      |                  |           | 5 0.8 W     | 4 24 VDC | 1 LED |                     |             |
|                                 |                                      |                  |           | 9 4.2/0.7 W |          |       |                     |             |

**MULTIPLE BASES FOR PLT-10**

**1 POSITION**



**+ POSITIONS**

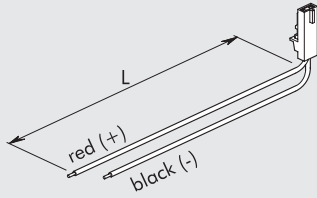


| Code        | Description                  |
|-------------|------------------------------|
| W0400100101 | Base 1 position for PLT-10   |
| W0400100102 | Base 2 positions for PLT-10  |
| W0400100103 | Base 3 positions for PLT-10  |
| W0400100104 | Base 4 positions for PLT-10  |
| W0400100105 | Base 5 positions for PLT-10  |
| W0400100106 | Base 6 positions for PLT-10  |
| W0400100107 | Base 7 positions for PLT-10  |
| W0400100108 | Base 8 positions for PLT-10  |
| W0400100109 | Base 9 positions for PLT-10  |
| W0400100110 | Base 10 positions for PLT-10 |

**N.B.:** For multiple manifold bases with PLT-10 M8 connection, only use straight connectors code 02400A

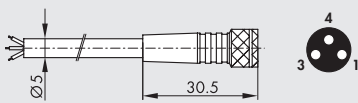
## ACCESSORIES

### PLUG-IN CONNECTOR



| Code        | Description                          |
|-------------|--------------------------------------|
| W0970512000 | Mach 11 plug-in connector L = 300 mm |
| W0970512007 | Mach 11 plug-in connector L = 1 m    |
| W0970512002 | Mach 11 plug-in connector L = 2 m    |

### M8 STRAIGHT CONNECTOR WITH CABLE

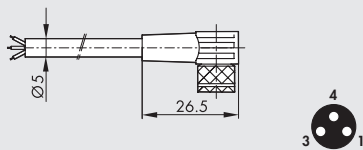


| Pin | Cable color |
|-----|-------------|
| 1   | Brown       |
| 3   | Blue        |
| 4   | Black       |

| Code       | Description  |
|------------|--|
| 02400A0100 | M8 female 3 PIN HIGH FLEX CL6 connector with cable L = 1 m   |
| 02400A0250 | M8 female 3 PIN HIGH FLEX CL6 connector with cable L = 2.5 m |
| 02400A0500 | M8 female 3 PIN HIGH FLEX CL6 connector with cable L = 5 m   |
| 02400A1000 | M8 female 3 PIN HIGH FLEX CL6 connector with cable L = 10 m  |

Very flexible cables, class 6 according to IEC 60228

### 90° M8 CONNECTOR WITH CABLE



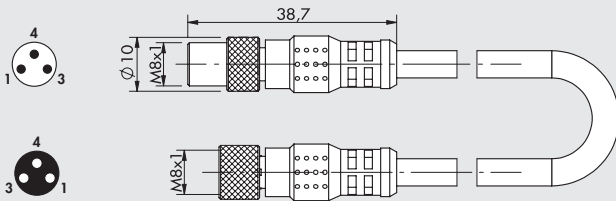
| Pin | Cable color |
|-----|-------------|
| 1   | Brown       |
| 3   | Blue        |
| 4   | Black       |

| Code       | Description  |
|------------|--|
| 02400B0100 | M8 female 3 PIN 90° HIGH FLEX CL6 connector with cable L = 1 m   |
| 02400B0250 | M8 female 3 PIN 90° HIGH FLEX CL6 connector with cable L = 2.5 m |
| 02400B0500 | M8 female 3 PIN 90° HIGH FLEX CL6 connector with cable L = 5 m   |
| 02400B1000 | M8 female 3 PIN 90° HIGH FLEX CL6 connector with cable L = 10 m  |

Very flexible cables, class 6 according to IEC 60228

**N.B.:** cannot be used on multiple manifold bases W0400100\_\_

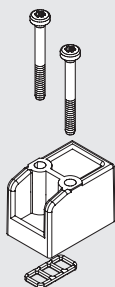
### M8 M - M8 F CONNECTOR



| Code      | Description                                       |
|-----------|---|
| 024009009 | M8-M8 3-pin straight connector with cable L = 3 m |

Note: Can be used for direct connection to the modules with digital OUTPUT of the EB 80 valves

### CAP FOR UNUSED POSITION

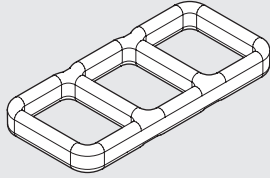


| Code        | Description | Weight [g] |
|-------------|-------------|------------|
| W0400100200 | Cap 10 mm   | 6          |

### NOTES

**SPARE PARTS**

**INTERFACE GASKET**



| Code       | Description   |
|------------|---------------|
| 0226009701 | PLT-10 gasket |

N.B.: 50 for pack

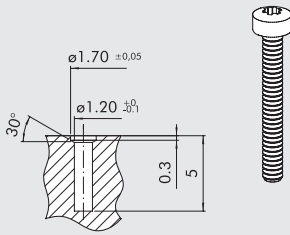
**STANDARD SECURING SCREW (FOR ALUMINIUM)**



| Code       | Description                |
|------------|----------------------------|
| 0226009702 | PLT-10 screw for aluminium |

N.B.: 100 for pack

**SECURING SCREWS FOR TECHNOPOLYMER**



| Code       | Description                    |
|------------|--------------------------------|
| 0226009703 | Screw PLT-10 for technopolymer |

N.B.: 100 for pack

When mounting on technopolymer bodies, use these screws instead of the ones supplied with the PLT-10.

**ATTENTION:** approximative dimensions for not added glass plastic materials It's always advisable to effect assembling tests.

**NOTES**