

Hose holder

HTR-SL-133-MP-HMK

Part no...:10.07.10.50025

<https://www.schmalz.com/10.07.10.50025>

Home > Vacuum Technology for Automation > Vacuum Components > Mounting Elements > Hose Management Kit HMK > HTR-SL-133-MP-HMK

Hose holder

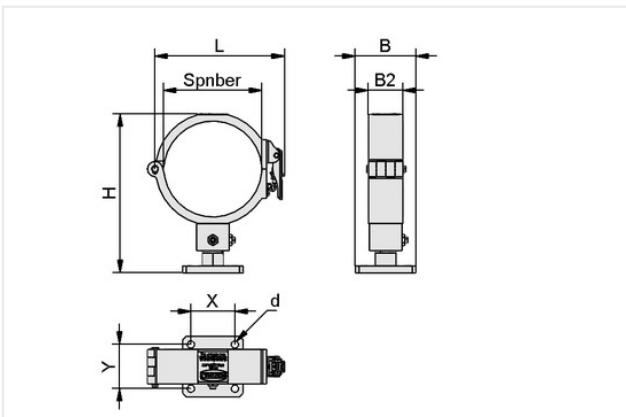


Mounting: Mounting plate

Length L: 187 mm

Construction use: Hose management set

Design Data



| Attribute | Value |
|------------|----------|
| B | 82.50 mm |
| B2 | 47 mm |
| d | 10 mm |
| H | 216 mm |
| L | 187 mm |
| Distance | 60 mm |
| Distance Y | 60 mm |

Contact Schmalz

Schmalz UK Limited | Unit 2 Woodrow Business Centre, Woodrow Way, Irlam, Manchester M44 6NN, Great Britain | +44 161 243 4642 | Page 1 from 1
schmalz@schmalz.co.uk