

Hose mounting (round)

SCHL-AUFN 133x67 HMK

Part no...:10.07.10.50026

<https://www.schmalz.com/10.07.10.50026>

Home > Vacuum Technology for Automation > Vacuum Components > Mounting Elements > Hose Management Kit HMK > SCHL-AUFN 133x67 HMK

Hose mounting (round)

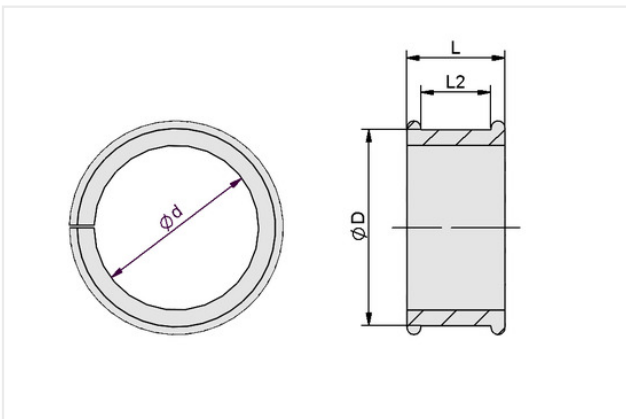


External diameter D: 133 mm

Length L: 67 mm

Construction use: Hose management set

Design Data



Attribute	Value
D	133 mm
d	112 mm
L	67 mm
L2	48 mm

Contact Schmalz