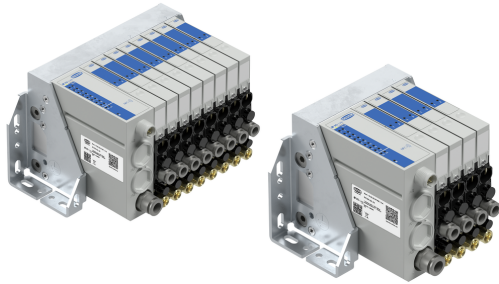
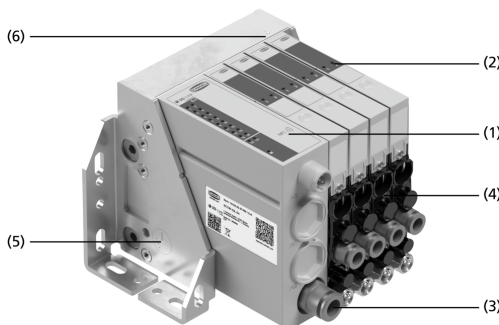


Mini Compact Terminal SCTMI

Suction rate from 2.2 l/min to 28 l/min



Mini Compact Terminal SCTMI



System design Mini Compact Terminal SCTMI



Suitability for industry specific applications

Applications

- Compact terminal for simultaneous, independent handling of different parts with just one vacuum system
- Reliable handling of suction-tight and slightly porous workpieces
- Central and compact unit for vacuum generation, individual control and monitoring
- Space- and weight-saving integration into fully automated handling and production systems

Design

- Bus module with NFC interface (1) with central intelligence for condition monitoring and switching point display for each ejector disc
- Visual status indicator (2) for suction cup and blow-off per ejector disc
- Central compressed air or vacuum connection (for valve function) (3) as push-in in one direction
- Up to 16 ejectors (4), freely selectable according to nozzle size and type, NO/NC incl. automatic air saving function. Also as a valve function for switching an existing vacuum that is generated electrically, for example
- Flexible possibility for mounting (5) for integration directly on the gripper or on moving axes
- Stable carrier system (6) for dynamic processes, flexible mounting options

Product highlights

- Modular design with different, individually controllable vacuum circuits for handling different workpieces
- Minimized integration and service costs thanks to central compressed air and power supply (24 V) for up to 16 mini compact ejectors
- Use in limited spaces due to very small footprint and low weight
- Reduction of compressed air consumption up to 80% thanks to automatic air saving function and intelligent condition monitoring function

Mini Compact Terminal SCTMi

Suction rate from 2.2 l/min to 28 l/min

Designation code Mini Compact Terminal SCTMi

SCTMi	-	IOL	-	E4	-	ABC0001C
1		2		3		4

1 – Abbreviated designation

Code	Version
SCTMi	SCTMi

2 – Communication

Code	Version
IOL	IO-Link

3 – Number of ejectors

Code	Number
E4	4
E8	8

4 – Configuration code

Code	Type
ABC0001C	Individual configuration code

Ordering data Mini Compact Terminal SCTMi

Type	Part no.
SCTMi IOL E4 ABY00002E	10.02.02.07456
SCTMi IOL E4 ABY00001F	10.02.02.07458
SCTMi IOL E8 ABY00003D	10.02.02.07457
SCTMi IOL E8 ABY00004C	10.02.02.07459

Ordering data Spare parts Mini Compact Terminal SCTMi

Spare parts	Part no.
Compact ejector	SCPMt 10 6/4 NO E1T 10.02.02.06945
Compact ejector	SCPMt 10 6/4 NC E1U 10.02.02.06946
Ejector blanking plate	EJEK-PL SCTMi 10.02.02.07263
Set of spare parts	ERS SCTMi SD 10.02.02.07341
Hollow screw, special shape	SCHR M8x92.7 SCTMi 10.02.02.06948
Flat male connector	FL-STEC 10 8 8 21.04.06.00723

Ordering data Accessories Mini Compact Terminal SCTMi

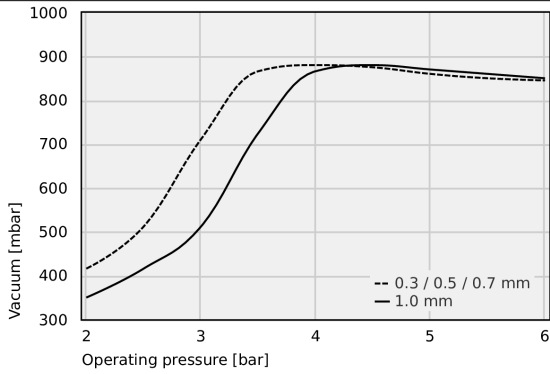
Accessories	Part no.
Vacuum filter (inline)	VFI CN8/6 50 10.07.01.00245
Vacuum hose (meter)	VSL 4-2 PU MI-TR 10.07.09.00001
Vacuum hose (meter)	VSL 6-4 PU MI-TR 10.07.09.00002

Accessories	Part no.
Connection cable, M12 5-pole, M12 5-pole, 1 m, PUR, straight	ASK B-M12-5 1000 S-M12-5 21.04.05.00158
Connection cable, M12 5-pole, M12 5-pole, 2 m, PUR, straight	ASK B-M12-5 2000 S-M12-5 21.04.05.00211
Connection cable, M12-5 connector, M12-5 plug, 5 m, PUR, straight	ASK B-M12-5 5000 S-M12-5 21.04.05.00266

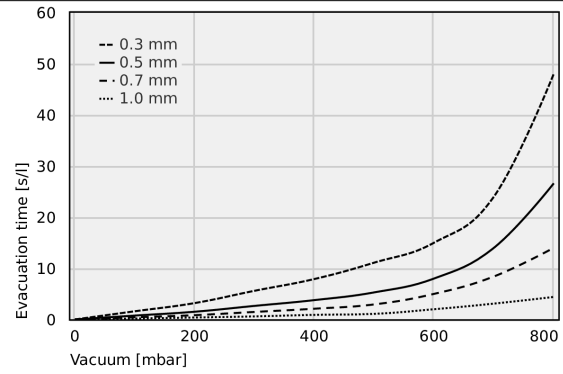
Mini Compact Terminal SCTMi

Suction rate from 2.2 l/min to 28 l/min

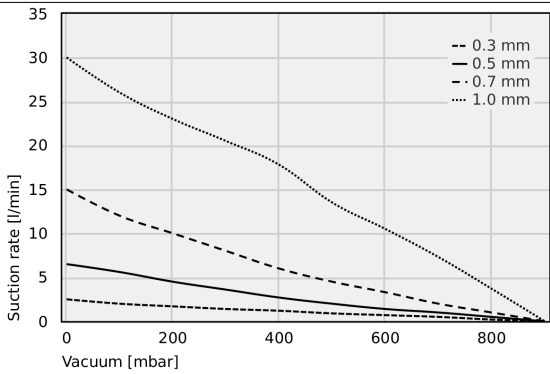
Performance data Mini Compact Terminal SCTMi



Achievable vacuum at various operating pressures



Evacuation times for various vacuum ranges [s/l]



Suction rate at various degrees of evacuation [l/min]

Mini Compact Terminal SCTMI

Suction rate from 2.2 l/min to 28 l/min

Achievable vacuum at various operating pressures

Typ	2.0	2.5	3.0	3.5	4.0	4.5	5.0	5.5	6.0
0.3 / 0.5 / 0.7 mm	416	512	711	866	880	875	860	850	845
1.0 mm	350	416	512	725	866	880	870	860	850

Evacuation times for various vacuum ranges [s/l]

Typ	0	100	200	300	400	500	600	700	800
0.3 mm	0.00	1.60	3.20	5.60	7.90	11.10	15.00	24.00	48.00
0.5 mm	0.00	0.76	1.51	2.65	3.78	5.29	8.00	14.00	26.60
0.7 mm	0.00	0.42	0.84	1.47	2.10	2.94	5.00	8.40	14.00
1.0 mm	0.00	0.18	0.38	0.60	0.90	1.10	2.00	3.10	4.40

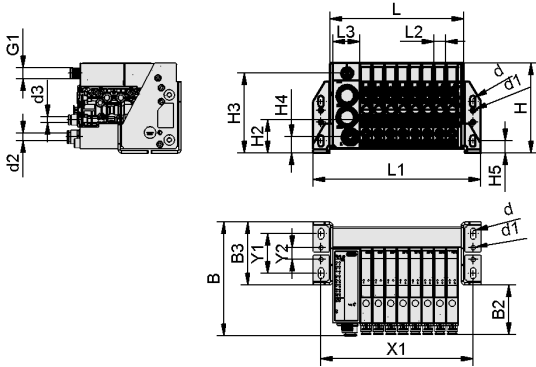
Suction rate at various degrees of evacuation [l/min]

Typ	0	100	200	300	400	500	600	700	800	900
0.3 mm	2.5	2.0	1.7	1.4	1.2	0.9	0.7	0.5	0.2	0.0
0.5 mm	6.5	5.6	4.5	3.6	2.7	2.0	1.4	1.0	0.5	0.0
0.7 mm	15.0	12.0	10.0	8.0	6.0	4.5	3.3	2.0	1.0	0.0
1.0 mm	30.0	26.0	23.0	20.5	17.8	13.5	10.5	7.30	3.70	0.00

Mini Compact Terminal SCTMi

Suction rate from 2.2 l/min to 28 l/min

Design data Mini Compact Terminal SCTMi



SCTMi

Mini Compact Terminal SCTMi

Suction rate from 2.2 l/min to 28 l/min

Design data Mini Compact Terminal SCTMi

Type	B [mm]	B2 [mm]	B3 [mm]	d [mm]	d1 [mm]	d2 [mm]	d3 [mm]	G1	H [mm]	H2 [mm]
SCTMi IOL E4 ABY00002E	115.8	51.8	64	5.5	4.5	8	6	M12x1-M	91.5	34
SCTMi IOL E8 ABY00003D	115.8	51.8	64	5.5	4.5	8	6	M12x1-M	91.5	34
SCTMi IOL E4 ABY00001F	115.8	51.8	64	5.5	4.5	8	6	M12x1-M	91.5	34
SCTMi IOL E8 ABY00004C	115.8	51.8	64	5.5	4.5	8	6	M12x1-M	91.5	34

Type	H3 [mm]	H4 [mm]	H5 [mm]	L [mm]	L1 [mm]	L2 [mm]	L3 [mm]	X1 [mm]	Y1 [mm]	Y2 [mm]
SCTMi IOL E4 ABY00002E	81.2	16.5	12.5	86.5	121.5	12.5	27.5	105.5	40	12
SCTMi IOL E4 ABY00001F	81.2	16.5	12.5	86.5	121.5	12.5	27.5	105.5	40	12
SCTMi IOL E8 ABY00003D	81.2	16.5	12.5	136.5	171.5	12.5	27.5	155.5	40	12
SCTMi IOL E8 ABY00004C	81.2	16.5	12.5	136.5	171.5	12.5	27.5	155.5	40	12

Multimedia product presentation

Medium	Link
Product video	https://vimeo.com/908146253 https://vimeo.com/908705084 https://vimeo.com/914817381