

Bellows Suction Cups SAOXB (oval)

Dimensions from 40 x 20 to 110 x 55 mm



Suitability for industry specific applications



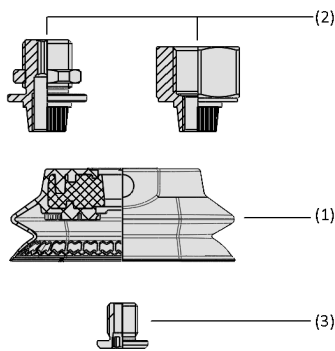
Bellows Suction Cups SAOXB (oval)

Application

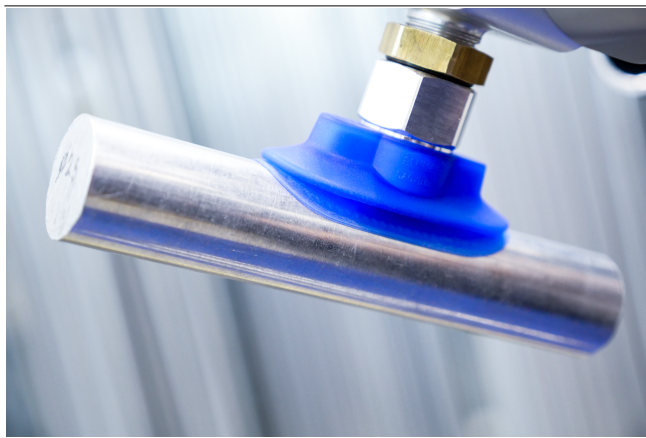
- Oval bellows suction cup for optimum adaptation on curved, elongated surfaces
- Handling of elongated workpieces with oiled surfaces
- Ideally suited for high cycle times for sheet metal and body parts

Design

- Very lightweight oval bellows suction cup (1) made of wear-resistant Elastodur (ED-85) material and optimum inner structure
- Connector (2) with knurling for improved torsion resistance of the suction cup
- Connector screw (3) with hexagon socket for mounting the suction cup
- Available as permanently mounted suction cups with various connection threads or in a non-mounted, modular version



System design Bellows Suction Cups SAOXB (oval)



Bellows suction cup SAOXB when handling formed sheet metal parts

Product highlights

- Extremely adaptable, oval bellows suction cup for optimum suction capacity on elongated sheet metal and car body parts
- Oval bellows suction cup with special structured friction surface for maximum holding force at high accelerations, especially on elongated, oiled surfaces
- Very good adaptation to different workpiece contours due to high stroke of the suction cup
- Flexible sealing lip seals very well even on elongated, curved workpiece surfaces

Bellows Suction Cups SAOXB (oval)

Dimensions from 40 x 20 to 110 x 55 mm

Designation code Bellows Suction Cups SAOXB (oval)

SAOXB	–	40x20	–	ED-85	–	G1/4-IG
1		2		3		4

1 – Abbreviated designation

Code	Version
SAOXB	1.5 folds, oval

2 – Dimension

Code	LxW in mm
40x20...110x55	40 x 20 to 110 x 55

3 – Material

Code	Material
ED-85	Elastodur

4 – Connection

Code	Connection
G1/4-IG	G1/4-IG (IG = female (F))
G1/4-AG	G1/4-AG (AG = male (M))
G3/8-IG	G3/8-IG
G3/8-AG	G3/8-AG
M10-AG	M10-AG
NPT3/8-IG	NPT3/8-IG
RA	Rectangular adapter
M12x1.5-AG	M12x1.5-AG
M14x1-IG	M14x1-IG
M16-AG	M16-AG
M16x1.5-AG	M16x1.5-AG

Ordering data Bellows Suction Cups SAOXB (oval)

Type		G1/4"-M	G1/4"-F	G3/8"-F	G3/8"-M	Rectangular adapter	NPT3/8-F
SAOXB 40x20		10.01.06.05984	10.01.06.05985	10.01.06.05987	10.01.06.05986	10.01.06.05989	10.01.06.05988
		10.01.06.05995	10.01.06.05996	10.01.06.05998	10.01.06.05997		
SAOXB 60x30		10.01.06.05999	10.01.06.06000	10.01.06.06002	10.01.06.06001	10.01.06.06004	10.01.06.06003
		10.01.06.06010	10.01.06.06011	10.01.06.06013	10.01.06.06012		
SAOXB 80x40		10.01.06.06014	10.01.06.06015	10.01.06.05867	10.01.06.06016	10.01.06.06018	10.01.06.06017
		10.01.06.06025	10.01.06.06026	10.01.06.06028	10.01.06.06027		
SAOXB 110x55		10.01.06.06029	10.01.06.06030	10.01.06.05870	10.01.06.06031	10.01.06.06033	10.01.06.06032
		10.01.06.06040	10.01.06.06041	10.01.06.06043	10.01.06.06042		

Type		M10-M	M12-M	M12x1.5-M	M14x1-F	M16-M	M16x1.5-M
SAOXB 40x20		10.01.06.05868	10.01.06.05991	10.01.06.05990	10.01.06.05992	10.01.06.05993	10.01.06.05994
SAOXB 60x30		10.01.06.05869	10.01.06.06006	10.01.06.06005	10.01.06.06007	10.01.06.06008	10.01.06.06009
SAOXB 80x40		10.01.06.06019	10.01.06.06021	10.01.06.06020	10.01.06.06022	10.01.06.06023	10.01.06.06024
SAOXB 110x55		10.01.06.06034	10.01.06.06036	10.01.06.06035	10.01.06.06037	10.01.06.06038	10.01.06.06039

Ordering data Spare parts Bellows Suction Cups SAOXB (oval)

Type		Spare parts	Part number
SAOXB 40x20		Bellows suction cup (oval)	SAOXB 40x20 ED-85 SC042 10.01.06.05780
SAOXB 60x30		Bellows suction cup (oval)	SAOXB 60x30 ED-85 SC043 10.01.06.05781
SAOXB 80x40		Bellows suction cup (oval)	SAOXB 80x40 ED-85 SC043 10.01.06.05782
SAOXB 110x55		Bellows suction cup (oval)	SAOXB 110x55 ED-85 SC043 10.01.06.05783

Bellows Suction Cups SAOXB (oval)

Dimensions from 40 x 20 to 110 x 55 mm

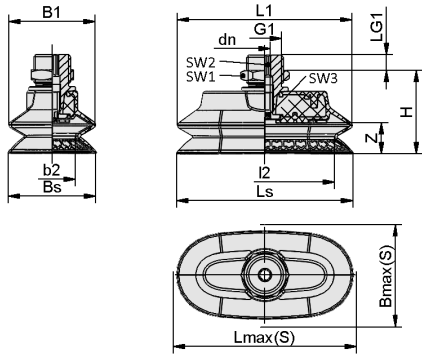
Technical data Bellows Suction Cups SAOXB (oval)

Type		Suction force (-600 mbar) [N]	Lateral force [N]	Lateral force oily surface [N]	Volume [cm ³]	Material hardness [Shore A] [Shore A]	Workpiece radius min. (convex) [mm]	Hose inner diameter (recom.) d [mm]
SAOXB	40x20	15	11	15	5	85	8	4
SAOXB	60x30	38	32	37	14	85	15	4
SAOXB	80x40	77	43	51	31	85	18	6
SAOXB	110x55	155	92	98	73	85	25	6

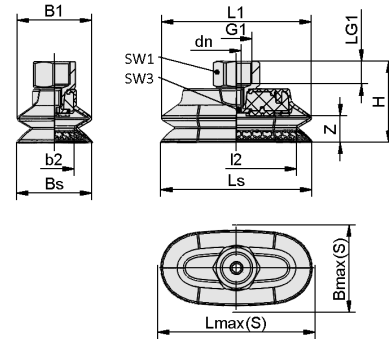
Bellows Suction Cups SAOXB (oval)

Dimensions from 40 x 20 to 110 x 55 mm

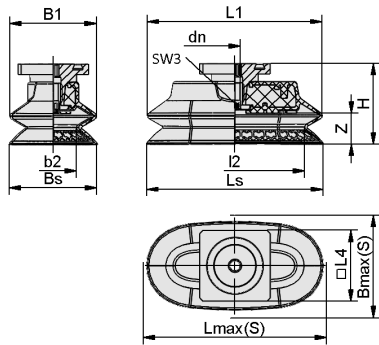
Design data Bellows Suction Cups SAOXB (oval)



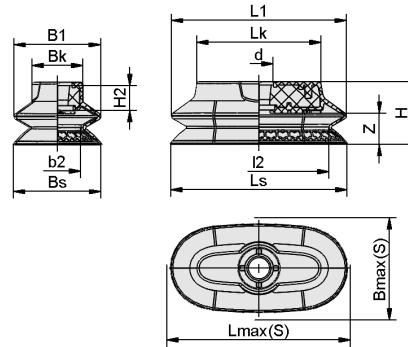
SAOXB AG



SAOXB IG



SAOXB RA



SAOXB

Bellows Suction Cups SAOXB (oval)

Dimensions from 40 x 20 to 110 x 55 mm

Design data Bellows Suction Cups SAOXB (oval)

Type	Bs [mm]	Ls [mm]	G1	LG1 [mm]	Bmax(S) [mm]	Lmax. (S) [mm]	H [mm]	dn [mm]	SW1 [mm]	SW2 [mm]	SW3 [mm]	L1 [mm]	I2 [mm]	L4 [mm]	B1 [mm]	b2 [mm]	Z (Stroke) [mm]
SAOXB 40x20 ED-85 M10-AG	20	40	M10-M	10	24	43	26.4	4	16	5	5	40	30	-	20	10	8
SAOXB 40x20 ED-85 G1/4-AG	20	40	G1/4"-M	11	24	43	23.9	5	17	5	5	40	30	-	20	10	8
SAOXB 40x20 ED-85 G1/4-IG	20	40	G1/4"-F	12	24	43	32.5	5	22	-	5	40	30	-	20	10	8
SAOXB 40x20 ED-85 G3/8-AG	20	40	G3/8"-M	10	24	43	24.9	5	19	5	5	40	30	-	20	10	8
SAOXB 40x20 ED-85 G3/8-IG	20	40	G3/8"-F	12	24	43	32.5	5	22	-	5	40	30	-	20	10	8
SAOXB 40x20 ED-85 NPT3/8-IG	20	40	NPT3/8"-F	12	24	43	32.5	5	22	-	5	40	30	-	20	10	8
SAOXB 40x20 ED-85 RA MOD	20	40	-	-	24	43	26.0	5	-	-	5	40	30	32	20	10	8
SAOXB 40x20 ED-85 M12x1.5-AG	20	40	M12x1.5-M	9	24	43	26.4	5	18	5	5	40	30	-	20	10	8
SAOXB 40x20 ED-85 M12-AG	20	40	M12-M	9	24	43	26.4	5	18	5	5	40	30	-	20	10	8
SAOXB 40x20 ED-85 M14x1-IG	20	40	M14x1-F	12	24	43	32.5	5	22	-	5	40	30	-	20	10	8
SAOXB 40x20 ED-85 M16-AG	20	40	M16-M	12	24	43	28.4	5	24	5	5	40	30	-	20	10	8
SAOXB 40x20 ED-85 M16x1.5-AG	20	40	M16x1.5-M	12	24	43	28.4	5	24	5	5	40	30	-	20	10	8
SAOXB 40x20 ED-85 G1/4-AG MOD	20	40	G1/4"-M	11	24	43	23.9	5	17	5	5	40	30	-	20	10	8

Bellows Suction Cups SAOXB (oval)

Dimensions from 40 x 20 to 110 x 55 mm

Type	Bs [mm]	Ls [mm]	G1	LG1 [mm]	Bmax(S) [mm]	Lmax. (S) [mm]	H [mm]	dn [mm]	SW1 [mm]	SW2 [mm]	SW3 [mm]	L1 [mm]	l2 [mm]	L4 [mm]	B1 [mm]	b2 [mm]	Z (Stroke) [mm]
SAOXB 40x20 ED-85 G1/4-IG MOD	20	40	G1/4"-F	12	24	43	32.5	5	22	-	5	40	30	-	20	10	8
SAOXB 40x20 ED-85 G3/8-AG MOD	20	40	G3/8"-M	10	24	43	24.9	5	19	5	5	40	30	-	20	10	8
SAOXB 40x20 ED-85 G3/8-IG MOD	20	40	G3/8"-F	12	24	43	32.5	5	22	-	5	40	30	-	20	10	8
SAOXB 60x30 ED-85 M10-AG	30	60	M10-M	10	34	63	33.0	4	16	5	5	60	46	-	30	16	11
SAOXB 60x30 ED-85 G1/4-AG	30	60	G1/4"-M	11	34	63	30.5	5	17	5	5	60	46	-	30	16	11
SAOXB 60x30 ED-85 G1/4-IG	30	60	G1/4"-F	12	34	63	39.0	5	22	-	5	60	46	-	30	16	11
SAOXB 60x30 ED-85 G3/8-AG	30	60	G3/8"-M	10	34	63	31.5	5	19	5	5	60	46	-	30	16	11
SAOXB 60x30 ED-85 G3/8-IG	30	60	G3/8"-F	12	34	63	39.0	5	22	-	5	60	46	-	30	16	11
SAOXB 60x30 ED-85 NPT3/8-IG	30	60	NPT3/8"-F	12	34	63	39.0	5	22	-	5	60	46	-	30	16	11
SAOXB 60x30 ED-85 RA MOD	30	60	-	-	34	63	32.5	5	-	-	5	60	46	32	30	16	11
SAOXB 60x30 ED-85 M12x1.5-AG	30	60	M12x1.5-M	9	34	63	33.0	5	18	5	5	60	46	-	30	16	11
SAOXB 60x30 ED-85 M12-AG	30	60	M12-M	9	34	63	33.0	5	18	5	5	60	46	-	30	16	11
SAOXB 60x30 ED-85 M14x1-IG	30	60	M14x1-F	12	34	63	39.0	5	22	-	5	60	46	-	30	16	11

Bellows Suction Cups SAOXB (oval)

Dimensions from 40 x 20 to 110 x 55 mm

Type	Bs [mm]	Ls [mm]	G1	LG1 [mm]	Bmax(S) [mm]	Lmax. (S) [mm]	H [mm]	dn [mm]	SW1 [mm]	SW2 [mm]	SW3 [mm]	L1 [mm]	l2 [mm]	L4 [mm]	B1 [mm]	b2 [mm]	Z (Stroke) [mm]
SAOXB 60x30 ED-85 M16-AG	30	60	M16-M	12	34	63	35.0	5	24	5	5	60	46	-	30	16	11
SAOXB 60x30 ED-85 M16x1.5-AG	30	60	M16x1.5-M	12	34	63	35.0	5	24	5	5	60	46	-	30	16	11
SAOXB 60x30 ED-85 G1/4-AG MOD	30	60	G1/4"-M	11	34	63	30.5	5	17	5	5	60	46	-	30	16	11
SAOXB 60x30 ED-85 G1/4-IG MOD	30	60	G1/4"-F	12	34	63	39.0	5	22	-	5	60	46	-	30	16	11
SAOXB 60x30 ED-85 G3/8-AG MOD	30	60	G3/8"-M	10	34	63	31.5	5	19	5	5	60	46	-	30	16	11
SAOXB 60x30 ED-85 G3/8-IG MOD	30	60	G3/8"-F	12	34	63	39.0	5	22	-	5	60	46	-	30	16	11
SAOXB 80x40 ED-85 G3/8-IG	39	80	G3/8"-F	12	46	84	42.7	5	22	-	5	79	63	-	39	23	14
SAOXB 80x40 ED-85 G1/4-AG	39	80	G1/4"-M	11	46	84	34.2	5	17	5	5	79	63	-	39	23	14
SAOXB 80x40 ED-85 G1/4-IG	39	80	G1/4"-F	12	46	84	42.7	5	22	-	5	79	63	-	39	23	14
SAOXB 80x40 ED-85 G3/8-AG	39	80	G3/8"-M	10	46	84	35.2	5	19	5	5	79	63	-	39	23	14
SAOXB 80x40 ED-85 NPT3/8-IG	39	80	NPT3/8"-F	12	46	84	42.7	5	22	-	5	79	63	-	39	23	14
SAOXB 80x40 ED-85 RA MOD	39	80	-	-	46	84	36.2	5	-	-	5	79	63	32	39	23	14
SAOXB 80x40 ED-85 M10-AG	39	80	M10-M	10	46	84	36.7	4	16	5	5	79	63	-	39	23	14

Bellows Suction Cups SAOXB (oval)

Dimensions from 40 x 20 to 110 x 55 mm

Type	Bs [mm]	Ls [mm]	G1	LG1 [mm]	Bmax(S) [mm]	Lmax. (S) [mm]	H [mm]	dn [mm]	SW1 [mm]	SW2 [mm]	SW3 [mm]	L1 [mm]	l2 [mm]	L4 [mm]	B1 [mm]	b2 [mm]	Z (Stroke) [mm]
SAOXB 80x40 ED-85 M12x1.5- AG	39	80	M12x1.5- M	9	46	84	36.7	5	18	5	5	79	63	-	39	23	14
SAOXB 80x40 ED-85 M12-AG	39	80	M12-M	9	46	84	36.7	5	18	5	5	79	63	-	39	23	14
SAOXB 80x40 ED-85 M14x1-IG	39	80	M14x1-F	12	46	84	42.7	5	22	-	5	79	63	-	39	23	14
SAOXB 80x40 ED-85 M16-AG	39	80	M16-M	12	46	84	38.7	5	24	5	5	79	63	-	39	23	14
SAOXB 80x40 ED-85 M16x1.5- AG	39	80	M16x1.5- M	12	46	84	38.7	5	24	5	5	79	63	-	39	23	14
SAOXB 80x40 ED-85 G1/4-AG MOD	39	80	G1/4"-M	11	46	84	34.2	5	17	5	5	79	63	-	39	23	14
SAOXB 80x40 ED-85 G1/4-IG MOD	39	80	G1/4"-F	12	46	84	42.7	5	22	-	5	79	63	-	39	23	14
SAOXB 80x40 ED-85 G3/8-AG MOD	39	80	G3/8"-M	10	46	84	35.2	5	19	5	5	79	63	-	39	23	14
SAOXB 80x40 ED-85 G3/8-IG MOD	39	80	G3/8"-F	12	46	84	42.7	5	22	-	5	79	63	-	39	23	14
SAOXB 110x55 ED-85 G3/8-IG	54	110	G3/8"-F	12	60	114	48.5	5	22	-	5	109	89	-	54	34	17
SAOXB 110x55 ED-85 G1/4-AG	54	110	G1/4"-M	11	60	114	39.9	5	17	5	5	109	89	-	54	34	17
SAOXB 110x55 ED-85 G1/4-IG	54	110	G1/4"-F	12	60	114	48.5	5	22	-	5	109	89	-	54	34	17
SAOXB 110x55 ED-85 G3/8-AG	54	110	G3/8"-M	10	60	114	40.9	5	19	5	5	109	89	-	54	34	17

Bellows Suction Cups SAOXB (oval)

Dimensions from 40 x 20 to 110 x 55 mm

Type	Bs [mm]	Ls [mm]	G1	LG1 [mm]	Bmax(S) [mm]	Lmax. (S) [mm]	H [mm]	dn [mm]	SW1 [mm]	SW2 [mm]	SW3 [mm]	L1 [mm]	l2 [mm]	L4 [mm]	B1 [mm]	b2 [mm]	Z (Stroke) [mm]
SAOXB 110x55 ED-85 NPT3/8-IG	54	110	NPT3/8"-F	12	60	114	48.5	5	22	-	5	109	89	-	54	34	17
SAOXB 110x55 ED-85 RA MOD	54	110	-	-	60	114	42.0	5	-	-	5	109	89	32	54	34	17
SAOXB 110x55 ED-85 M10-AG	54	110	M10-M	10	60	114	42.4	4	16	5	5	109	89	-	54	34	17
SAOXB 110x55 ED-85 M12x1.5-AG	54	110	M12x1.5-M	9	60	114	42.4	5	18	5	5	109	89	-	54	34	17
SAOXB 110x55 ED-85 M12-AG	54	110	M12-M	9	60	114	42.4	5	18	5	5	109	89	-	54	34	17
SAOXB 110x55 ED-85 M14x1-IG	54	110	M14x1-F	12	60	114	48.5	5	22	-	5	109	89	-	54	34	17
SAOXB 110x55 ED-85 M16-AG	54	110	M16-M	12	60	114	44.4	5	24	5	5	109	89	-	54	34	17
SAOXB 110x55 ED-85 M16x1.5-AG	54	110	M16x1.5-M	12	60	114	44.4	5	24	5	5	109	89	-	54	34	17
SAOXB 110x55 ED-85 G1/4-AG MOD	54	110	G1/4"-M	11	60	114	39.9	5	17	5	5	109	89	-	54	34	17
SAOXB 110x55 ED-85 G1/4-IG MOD	54	110	G1/4"-F	12	60	114	48.5	5	22	-	5	109	89	-	54	34	17
SAOXB 110x55 ED-85 G3/8-AG MOD	54	110	G3/8"-M	10	60	114	40.9	5	19	5	5	109	89	-	54	34	17
SAOXB 110x55 ED-85 G3/8-IG MOD	54	110	G3/8"-F	12	60	114	48.5	5	22	-	5	109	89	-	54	34	17

Bellows Suction Cups SAOXB (oval)

Dimensions from 40 x 20 to 110 x 55 mm

Type	Bs [mm]	Ls [mm]	Bmax(S) [mm]	Lmax(S) [mm]	L1 [mm]	Lk [mm]	B1 [mm]	Bk [mm]	H [mm]	H2 [mm]	d	Z (Stroke) [mm]	b2 [mm]	l2 [mm]
SAOXB 40x20 ED-85 SC042	20	40	24	43	40	26	20	19	18.4	1.5	11.0	7.5	10	30
SAOXB 60x30 ED-85 SC043	30	60	34	63	60	41	30	23	25.0	1.5	11.0	10.5	16	46
SAOXB 80x40 ED-85 SC043	39	80	46	84	79	89	39	23	28.7	1.5	11.0	14.0	23	63
SAOXB 110x55 ED-85 SC043	54	110	60	114	109	80	54	34	34.4	1.5	11.0	17.0	34	89

Multimedia product presentation

Medium

Application video

Product video

Link

<https://vimeo.com/1066866443/c0c490ef0a>

<https://vimeo.com/1065783561>