

Control Modules mGrip SRCU Mini / SRCU Basic

Control modules for finger grippers mGrip



Suitability for industry specific applications



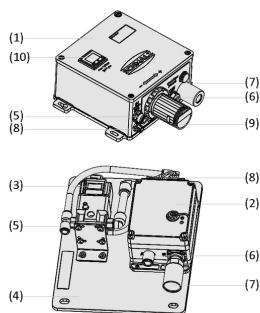
Control Modules mGrip SRCU Mini / SRCU Basic

Application

- Control module SRCU for controlling finger grippers in automated handling systems
- Can be used in many industries, e.g. agriculture, food, logistics, packaging
- Maximum power and degree of automation with electro-pneumatic control module SRCU Mini – particularly suitable for varying workpieces
- High process reliability and manual grip force adjustment with control module SRCU Basic
- Integrated outlet pressure regulator
- Digital, analog or manual configuration interface

Design

- Electro-pneumatic control module SRCU Basic (1) or SRCU Mini (2) with proportional valve (3), optionally mounted on the mounting plate (4)
- Input for compressed air (5)
- Output for vacuum and compressed air (6) for direct control of the gripper, as well as exhaust air output (7)
- Electric connection (8) for power supply and communication
- Adjustment knob (9) for outlet pressure
- Integrated pressure and vacuum switch (10) for setting and for visual and signal monitoring



System design Control Modules mGrip SRCU Mini / SRCU Basic

Product highlights

- High gripper speed with up to 120 picks per minute
- User-friendly software interface for easy adjustment of the gripping force, definition of the positions and adjustment of the finger opening (for SRCU Mini) or intuitive manual gripping force adjustment (for SRCU Basic)
- An internal pressure reducer prevents the finger modules from being overloaded, ensuring safety and a long service life
- Optimized compressed air and vacuum supply for smooth operation of the finger gripper

Designation code Control Modules mGrip SRCU Mini / SRCU Basic

Control Modules mGrip SRCU Mini / SRCU Basic

Control modules for finger grippers mGrip

**1 – Abbreviated designation**

Code	Version
SRCU	SRCU

2 – Version

Code	Type
Mini	Mini
Basic	Basic

3 – Inputs and outputs

Code	Type
A	Analog
D	Digital
P	Digital plus
UR	Universal Robots

4 – Mounting

Code	Type
M	Mounted on mounting plate
UM	Without mounting plate

The control module SRCU Mini can be delivered either assembled (M) or unassembled (UM). The control module SRCU Basic is delivered assembled.

Ordering data Control Modules mGrip SRCU Mini / SRCU Basic

Type	Part no.
SRCU-Mini-A-UM	10.13.07.00161
SRCU-Mini-A-M	10.13.07.00164
SRCU-Mini-D-UM	10.13.07.00171
SRCU-Mini-D-M	10.13.07.00174
SRCU-Mini-P-UM	10.13.07.00170
SRCU-Mini-P-M	10.13.07.00175
SRCU-Mini-UR-M	10.13.07.00163
SRCU-Basic	10.13.07.00400

Ordering data Accessories Control Modules mGrip SRCU Mini / SRCU Basic

Type	VSL 8-6 PU MI-TR	VSL 8-6 PE BL	VSL 10-7 PU MI-TR	VSL 10-7 PE MI-TR	VSL 12-9 PU MI-TR	VSL 12-9 PE BL
SRCU-Mini	10.07.09.00003	10.07.09.00015	10.07.09.00084	10.07.09.00083	10.07.09.00037	10.07.09.00050

Type	Accessories	Part no.
SRCU-Basic	Ejector tester	EJEK-TEST SMPi/SCPI
		10.02.02.03588

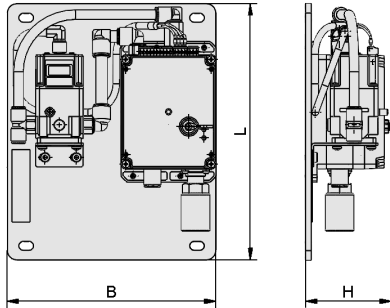
Technical data Control Modules mGrip SRCU Mini / SRCU Basic

Type	Inputs / outputs	Version	Operating pressure	Voltage
SRCU-Mini-A-UM	Analog	without mounting plate	5.9 ... 6.9 bar	24 V - DC
SRCU-Mini-A-M	Analog	mounted on mounting plate	5.9 ... 6.9 bar	24 V - DC
SRCU-Mini-D-UM	Digital	without mounting plate	5.9 ... 6.9 bar	24 V - DC
SRCU-Mini-D-M	Digital	mounted on mounting plate	5.9 ... 6.9 bar	24 V - DC
SRCU-Mini-P-UM	Digital pulse	without mounting plate	5.9 ... 6.9 bar	24 V - DC
SRCU-Mini-P-M	Digital pulse	mounted on mounting plate	5.9 ... 6.9 bar	24 V - DC
SRCU-Mini-UR-M	Universal Robots	mounted on mounting plate	5.9 ... 6.9 bar	24 V - DC
SRCU-Basic	-	-	3.0 ... 6.0 bar	24 V - DC

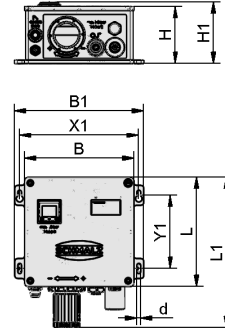
Control Modules mGrip SRCU Mini / SRCU Basic

Control modules for finger grippers mGrip

Design data Control Modules mGrip SRCU Mini / SRCU Basic



SRCU M



SRCU-Basic

Control Modules mGrip SRCU Mini / SRCU Basic

Control modules for finger grippers mGrip

Design data Control Modules mGrip SRCU Mini / SRCU Basic

Type	B [mm]	B1 [mm]	d [mm]	H [mm]	H1 [mm]	L [mm]	L1 [mm]	X1 [mm]	Y1 [mm]
SRCU-Mini-A-M	220	-	-	90.4	-	270	-	-	-
SRCU-Mini-D-M	220	-	-	90.4	-	270	-	-	-
SRCU-Mini-P-M	220	-	-	90.4	-	270	-	-	-
SRCU-Mini-A-UM	-	-	-	-	-	-	-	-	-
SRCU-Mini-UR-M	187	-	-	125.0	-	212	-	-	-
SRCU-Mini-P-UM	-	-	-	-	-	-	-	-	-
SRCU-Mini-D-UM	-	-	-	-	-	-	-	-	-
SRCU-Basic	164	194	5.5	86.0	92.8	226	226	179	108.9